



201[®] Series IV Direct/ Reflecting[®] Speakers

Owner's Guide

October 30, 2001

AM183562_04_V.pdf

Thank you

Congratulations on your purchase of Bose® 201® Series IV Direct/Reflecting® speakers. Their integrated system of advanced Bose technologies delivers superior sound reproduction from a bookshelf design.

For your records

Serial numbers are located on the back of each 201® speaker.

Serial numbers: _____

Dealer name: _____

Dealer phone: _____ Purchase date: _____

We suggest you keep your sales slip and warranty card together with this owner's guide.

Declaration of Conformity



We, the offerer:

Bose® Corporation, The Mountain
Framingham, MA 01701-9168 USA

acknowledge our sole responsibility, that the product:

Kind of equipment:	Loudspeakers
Type designation:	201® Series IV speakers

in accordance with EMC Directive 89/336/EEC and Article 10(1) of the Directive,
is in compliance with the following norm(s) or document(s):

Technical regulations:	EN50081-1, EN50082-1
------------------------	-----------------------------

Accredited by Bose Corporation

5 January 1996

A handwritten signature in black ink that reads "Paul Olean".

Bose B.V., Nijverheidstraat 8
1135 GE Edam, The Netherlands

Paul Olean, General Manager, Bose B.V.
Manufacturer's authorized
EU representative

Where to find...

Setting Up

Before you begin	4
Unpack the carton	4
Select the locations for your 201® speakers	5
Choose the cord	6
Prepare the cord	6
Make the connections	6
Check the connections	7
Test the speakers	7

Maintaining Your 201® Series IV Speakers

Troubleshooting	8
Cleaning the speakers	9
Warranty period	9
Customer service	9

Product Information

Technical information	10
Optional accessories	10

Bose® Corporation	inside back page
-------------------------	------------------

Before you begin

Your Bose® 201® Series IV Direct/Reflecting® speakers are designed to create a listening experience that is very similar to a live concert. There are two basic ways to place your speakers in a room. Try both and let your personal taste determine which is best.

The first way takes advantage of Stereo Targeting® technology, with the tweeters firing inward to create an intimate or focused sound pattern (Figure 1, position 1). This may be the best choice for use with a video system, or if your room lacks one or more reflecting walls.

The second way allows the tweeters to fire outward to disperse a wider, more spacious sound (Figure 1, position 2). You may find this best for music recorded in live settings.

Your 201 Series IV speakers are significantly different from conventional ones, so be sure to read this owner's guide. It will help you set up and use your speakers properly, for the greatest enjoyment.

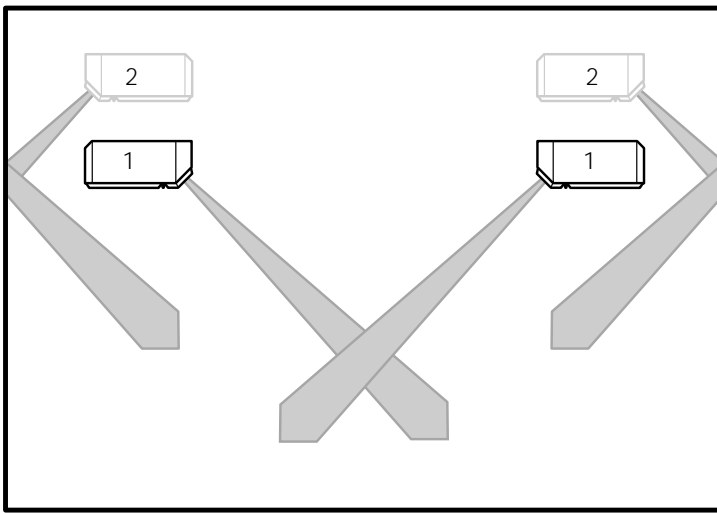


Figure 1

201® Series IV Direct/Reflecting® tweeter sound patterns. The woofer sound pattern is not shown.

Unpack the carton

Carefully unpack the carton and save all packing materials for possible future use. Check the carton contents (Figure 2). Now is a good time to record the speaker serial numbers on page 2 of this guide and on your warranty card.

Do not use your speakers if either appears damaged. Instead, repack both speakers in the original carton and notify your authorized Bose dealer immediately.

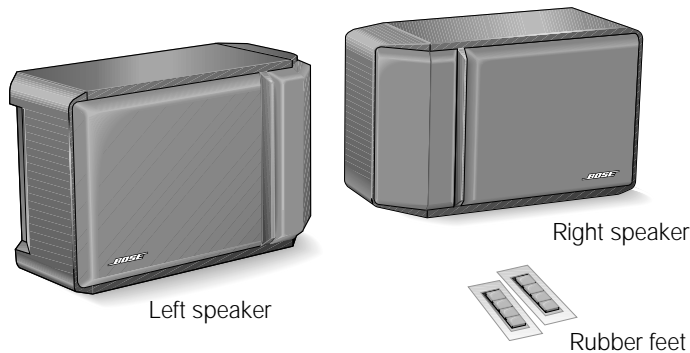


Figure 2

Product contents

Select the locations for your 201® speakers

The following guidelines are intended to help you find the best sounding location for your new speakers:

- Listen to both speaker sound patterns shown on page 4, Figure 1. Choose the one you prefer.
 1. First, aim the tweeters inward as shown in Figure 1, position 1. The tweeters are directly behind the angle on the front of each speaker. Listen to music.
 2. Next, aim the tweeters outward, as shown in Figure 1, position 2, by interchanging the left and right speakers. Listen to the same passage of music.
- Place the speakers 4 to 12 feet (1.2 to 3.6 m) apart with the back of the speakers no more than 18 inches (45 cm) from the rear wall.
- Leave at least 12 inches (30 cm) of space from the end of a speaker to the side wall.
- Leave at least 18 inches (45 cm) from the speakers to the floor and ceiling. Positions closer to walls, floor, or ceiling will produce more bass.
- Avoid placing the speakers exactly halfway between the floor and ceiling.

Note: Bose® AS-3 speaker stands or WB-3 wall brackets can extend your placement options. See "Optional accessories" on page 10.

Caution: 201® speakers are specifically designed for placement on a stationary shelf, table, or stand. Do not place them in a vertical position. On smooth surfaces like marble, glass, or highly polished wood, vibrations may cause the speakers to slide. So be sure to attach the self-adhesive rubber feet to the bottom surface of each speaker for added stability and protection. The feet go in the corners of the flat surface, inside the seam.

To mount the speakers on a wall, use only the Bose WB-3 wall mounting bracket. Please follow the mounting instructions that come with these brackets. Improperly mounted speakers may fall, causing injury and damage. To contact Bose, please refer to the information inside the back cover of this owner's guide.

Do not use these speakers in a moving vehicle.

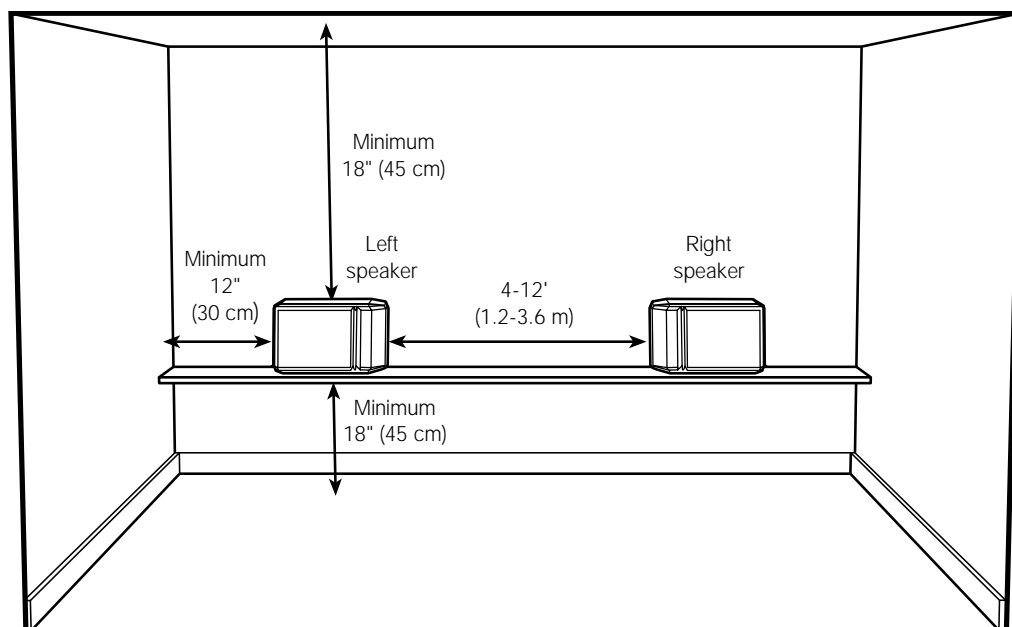


Figure 3

Placement guidelines

Choose the cord

Caution: Never use broken or frayed wiring. It can result in electrical shock or damage.

It is important to use the proper gauge (thickness) of speaker wire. Standard zip cord (2-conductor, 18-gauge wire) works best for most applications. You can find this wire at most electrical and hardware stores.

You will need thicker wire if your speakers will be more than 30 feet (9 m) from a receiver or amplifier. Refer to the wire recommendations under "Technical information" on page 10, or contact your authorized Bose® dealer for more information.

Note: This wire may not be suitable for use inside finished walls. Check your local building code requirements or contact an electrical installer for information.

Prepare the cord

Speaker cord consists of two insulated wires. The insulation around one wire is marked (striped, printed, or ribbed). This marked wire is always positive (+). The plain wire is always negative (-). These wires correspond to the red (+) and black (-) terminals on the speakers and the receiver or amplifier.

At the ends of each cord, strip approximately ½ inch (12 mm) of insulation from both wires. Twist the bare end of each wire, so loose strands will not touch across terminals. Be sure to connect each wire to the proper terminal (positive to positive and negative to negative).

Note: It is sometimes difficult to distinguish wire markings. Inspect both wires carefully.

Make the connections

Caution: Before making any connections, turn off your receiver or amplifier and unplug it from the AC power (mains) outlet. Not doing so may result in damage to your system.

Just press the terminal tab on the back of each speaker to insert the appropriate wire (Figure 4).

1. Connect one speaker cord to your right speaker.
 - a. Attach the marked wire to the red (+) terminal.
 - b. Attach the plain wire to the black (-) terminal.
2. Connect the other end of the same cord to the RIGHT SPEAKER OUTPUT of your receiver.
 - a. Attach the marked wire to the red (+) terminal.
 - b. Attach the plain wire to the black (-) terminal.
3. Connect the second cord to the left speaker and LEFT SPEAKER OUTPUT as described above.

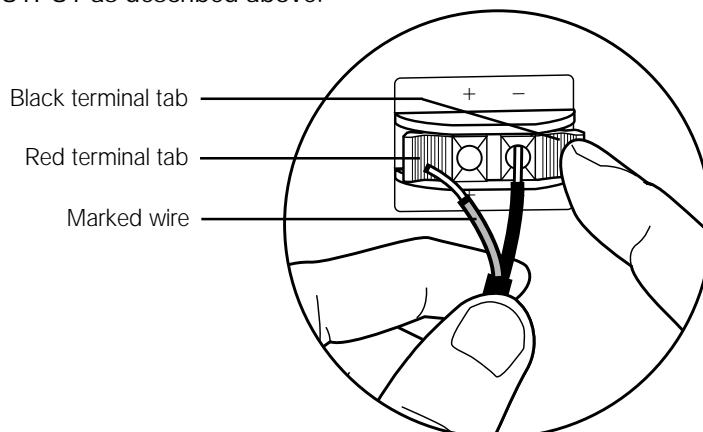


Figure 4

Terminal connections

Check the connections

Check that all connections are made positive to positive (+ to +) and negative to negative (- to -) (Figure 5). Make sure that no loose strands of wire touch across terminals. This could damage your receiver or amplifier. Be sure the connections are secure before you plug in the receiver or amplifier and turn it on.

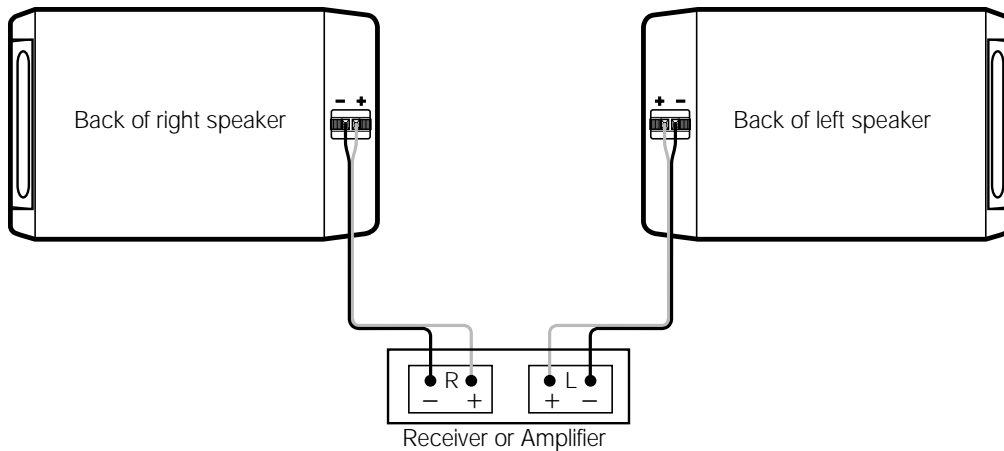


Figure 5

Completed connections

Test the speakers

To make sure your speakers operate correctly:

1. Place the speakers less than 6 inches (15 cm) apart, facing each other.
2. Turn on your receiver, and set it to MONO (monophonic), if that is an option on your model.
3. Set the balance control to normal (center position).
4. Play some deep bass passages of music through the speakers.

The sound should seem to come from a point between the two speakers. The bass should be full and natural. If it is not, one of the connections may be reversed, causing the speakers to play out of phase. Refer to "Make the connections" on page 6. To correct the problem, make sure all the wires are connected positive to positive (+ to +) and negative to negative (- to -). Then repeat steps 1 through 4 to re-test the speakers.

Troubleshooting

Problem	What to do
No sound	<ul style="list-style-type: none"> • Make sure the receiver or amplifier is plugged in and turned on. • Check to be sure the AC power (mains) outlet is working. • Disconnect any headphones plugged into the headphone jack. • Make sure the receiver or amplifier is not set to MUTE. • Refer to the owner's guide that came with your receiver or amplifier. • Check all connections at both the speaker and the receiver or amplifier end. Refer to "Make the connections" on page 6. Correct any errors.
No sound from one speaker	<ul style="list-style-type: none"> • Disconnect the working speaker from the receiver or amplifier. • Switch the cord of the "faulty" speaker from its original receiver or amplifier jacks to the other set of jacks (the working speaker was originally attached to those jacks). <ul style="list-style-type: none"> - If the speaker now works, the problem is in your receiver or amplifier. Reconnect your speakers to a working unit. - If there is still no sound from the speaker, continue below. • Remove the cord from the working speaker and connect it to the "faulty" speaker and either channel of the receiver or amplifier jacks. <ul style="list-style-type: none"> - If the speaker now works, the problem was in the original speaker cord. - If there is still no sound, the problem is in the speaker.
One speaker sounds distorted	<ul style="list-style-type: none"> • Follow the same procedure for the problem of no sound from one speaker, as outlined above.
Not enough bass or treble	<ul style="list-style-type: none"> • Adjust the bass and treble volume controls on the receiver. • Check the connections to make sure they are correctly in phase (positive to positive and negative to negative). Refer to "Make the connections" on page 6. • Experiment with different room placements. Positions closer to walls, floor, or ceiling will produce more bass.

Cleaning the speakers

Clean the surface of your speakers with a soft, damp cloth. A mild soap may be used, but do not use any solvents, chemicals, or cleaning solutions containing alcohol, ammonia, or abrasives. Do not use any sprays near the system or allow liquids to spill into any openings.

The speaker grille panel is easily removed by pulling it gently away from the speaker. The grille may be gently vacuumed to remove dust. Do not affix any objects to the grille.

Warranty period

Bose® 201® Series IV Direct/Reflecting® speakers are covered by a limited 5-year transferable warranty. Details of the coverage are provided on the warranty card that came with your speakers. Please fill out the information section of the card, detach, and mail to Bose.

Customer service

If you have a problem not solved by the troubleshooting guidelines, contact your authorized Bose dealer to arrange for service. To obtain information or service directly from Bose, refer to the listings inside the back cover of this guide. Bose Corporation will make every effort to correct any problem within the terms of your warranty.

Technical information

Features

Direct/Reflecting® speaker design
Dual Frequency™ crossover network
Stereo Targeting® technology
Syncom® computer quality control

Driver complement (per enclosure)

One (1) 6½" (16 cm) woofer
One (1) 2" (5 cm) high-sensitivity tweeter

Compatibility/Impedance

Compatible with amplifiers and receivers rated from 10 to 120 watts per channel, rated 8 ohms

Wire recommendations

Based on a maximum frequencies response deviation of ±0.5 dB

Gauge	Length
18 (0.75 mm ²)	30 ft (9 m) maximum
16 (1.5 mm ²)	45 ft (14 m) maximum
14 (2.0 mm ²)	70 ft (21 m) maximum

Enclosure

Polymer and vinyl veneer over wood construction in black, rosewood, or gray finish

Size/Weight

Each speaker, unpacked: 9½"H x 15⅛"W x 6¾"D (24 x 39 x 18 cm)

Each speaker: 9 lb (4.1 kg)

Speaker pair in shipping carton: 22.8 lb (10.4 kg)

Optional accessories

Bose® AS-3 speaker stands and WB-3 wall mounting brackets are designed for use with 201® Series IV Direct/Reflecting® speakers. For information, or to order accessories, contact your authorized Bose dealer. Or, to contact Bose directly, refer to the listings inside the back cover of this guide.

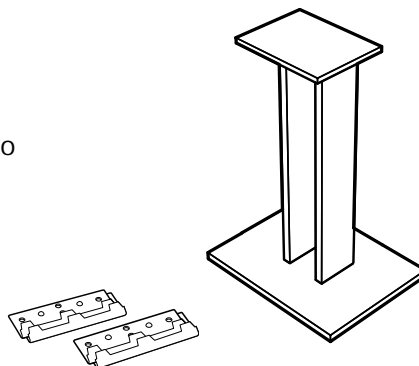


Figure 6

Bose® AS-3 speaker stand and WB-3 wall mounting brackets



USA

Bose Corporation, The Mountain
Framingham, MA 01701-9168
1-800-367-4008
Phone hours - ET (eastern time):
Weekdays 8:30 a.m. to 8 p.m.
Saturdays 9 a.m. to 3 p.m.

Canada

Bose Ltd., 1-35 East Beaver Creek Road
Richmond Hill, Ontario L4B 1B3
1-800-465-2673
Phone hours - ET (eastern time):
Weekdays 9 a.m. to 5 p.m.

European Office

Bose Products B.V., Nijverheidstraat 8
1135 GE Edam, Nederland
TEL 0299-390111 FAX 0299-390114

Australia

Bose Australia, Inc., 1 Sorrell Street
Parramatta, N.S.W. 2150
TEL 02 204-6111 FAX 02 204-6122

Belgique/België

Bose N.V., Limesweg 2, B-3700 Tongeren
TEL 012-390800 FAX 012-390840

Danmark

Bose A/S, Industrivej 7, 2605 Brøndby
TEL 4343-7777 FAX 4343-7818

Deutschland

Bose GmbH, Max-Planck-Straße 36d
D-61381 Friedrichsdorf
TEL 06172-71040 FAX 06172-710419

France

Bose S.A., 6, rue Saint Vincent
78100 Saint Germain en Laye
TEL 01-30616363 FAX 01-30614105

India

Bose Corporation India Private Limited
W-16, Greater Kailash-II
New Delhi 110 048
TEL (011) 648 4462 FAX (011) 648 4463

Ireland

Bose Corporation
Carrickmacross, Co Monaghan
TEL (042) 9661988 FAX (042) 9661998

Italia

Bose S.p.A., Via della Magliana 876
00148 Roma
TEL 06-65670802 FAX 06-65680167

Japan

Bose K.K., Shibuya YT Building
28-3 Maruyama-cho
Shibuya-ku, Tokyo 150
TEL 3-5489-0955 FAX 3-5489-0592

Nederland

Bose B.V., Nijverheidstraat 8
1135 GE Edam
TEL 0299-390111 FAX 0299-390109

Norge

Bose A/S, Solheimsgate 11
N-2001, Lillestrøm
TEL 63-817380 FAX 63-810819

Österreich

Bose Ges.m.b.H., Vienna Business Park
Wienerbergstrasse 7 (10.OG)
A-1100 Vienna
TEL 01-60404340 FAX 01-604043423

Schweiz

Bose AG, Rünenbergerstrasse 13
4460-Gelterkinden
TEL 061-9815544 FAX 061-9815502

Sverige

Bose A/S, Blandsädsgatan 2D
S-43146 Mölndal
TEL 31-878850 FAX 31-274891

United Kingdom

Bose Limited, Unit G2
Trinity Trading Estate
Sittingbourne, Kent ME10 2PD
TEL 01795-475341 FAX 01795-427227

From other locations

Bose Customer Service, 1 New York Ave.
Framingham, MA 01701-9168 USA
TEL (508) 766-1900 FAX (508) 766-1919

World Wide Web

www.bose.com



BOSE[®]
Better sound through research[®]

©1999 Bose Corporation
The Mountain, Framingham, MA 01701-9168 USA
183562 AM Rev.04 JN00049