



Stereo receivers for
Bose® 901® Direct/Reflecting® speaker system

The Bose 901 active equalizer is an integral part of the 901 Direct/Reflecting speaker system allowing for proper performance and sound. Over the past several years, manufacturers of receivers have made fewer products compatible with external equalizers — including the Bose 901 equalizer.

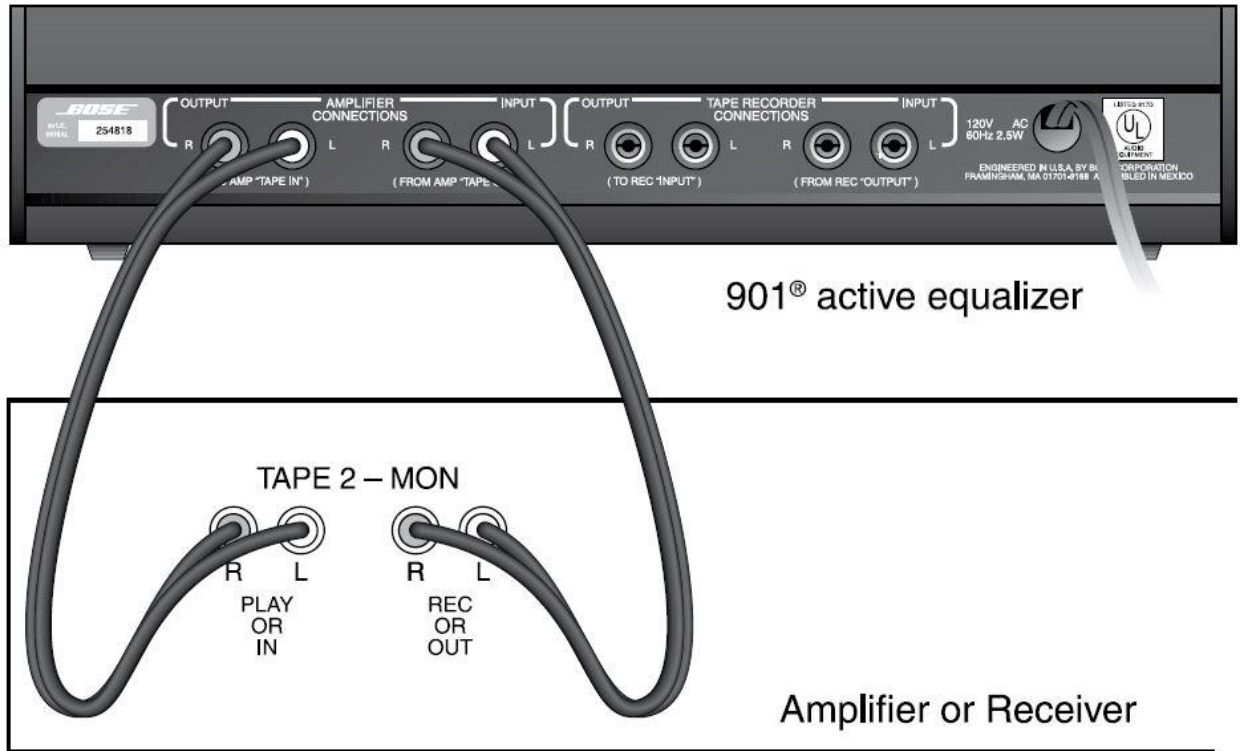
To connect the 901 equalizer, a compatible receiver must have either a tape monitor loop or both preamp in and preamp out jacks. Alternatively, a separate preamplifier can be used in conjunction with a power amplifier to connect the equalizer.

The following pages describe connecting the 901 equalizer with compatible components:

- **Using a receiver with a tape monitor loop**

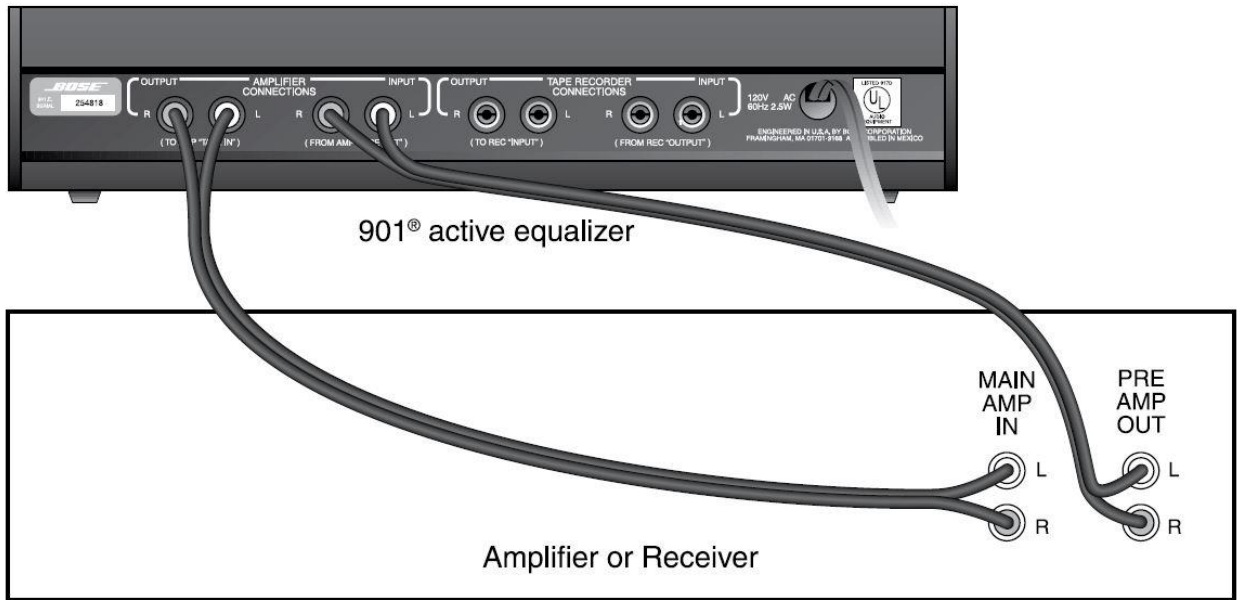
Compatible receivers with a tape monitor loop will have a "Tape Record / Tape Out" connection and a "Tape Playback / Tape In" connection. Additionally, the receiver must have a tape monitor function that is enabled. This is typically done via a "Tape Monitor" button on the front of the receiver

Note: Not all receivers with Tape In/Out jacks have a Tape Monitor function. Such receivers are not compatible



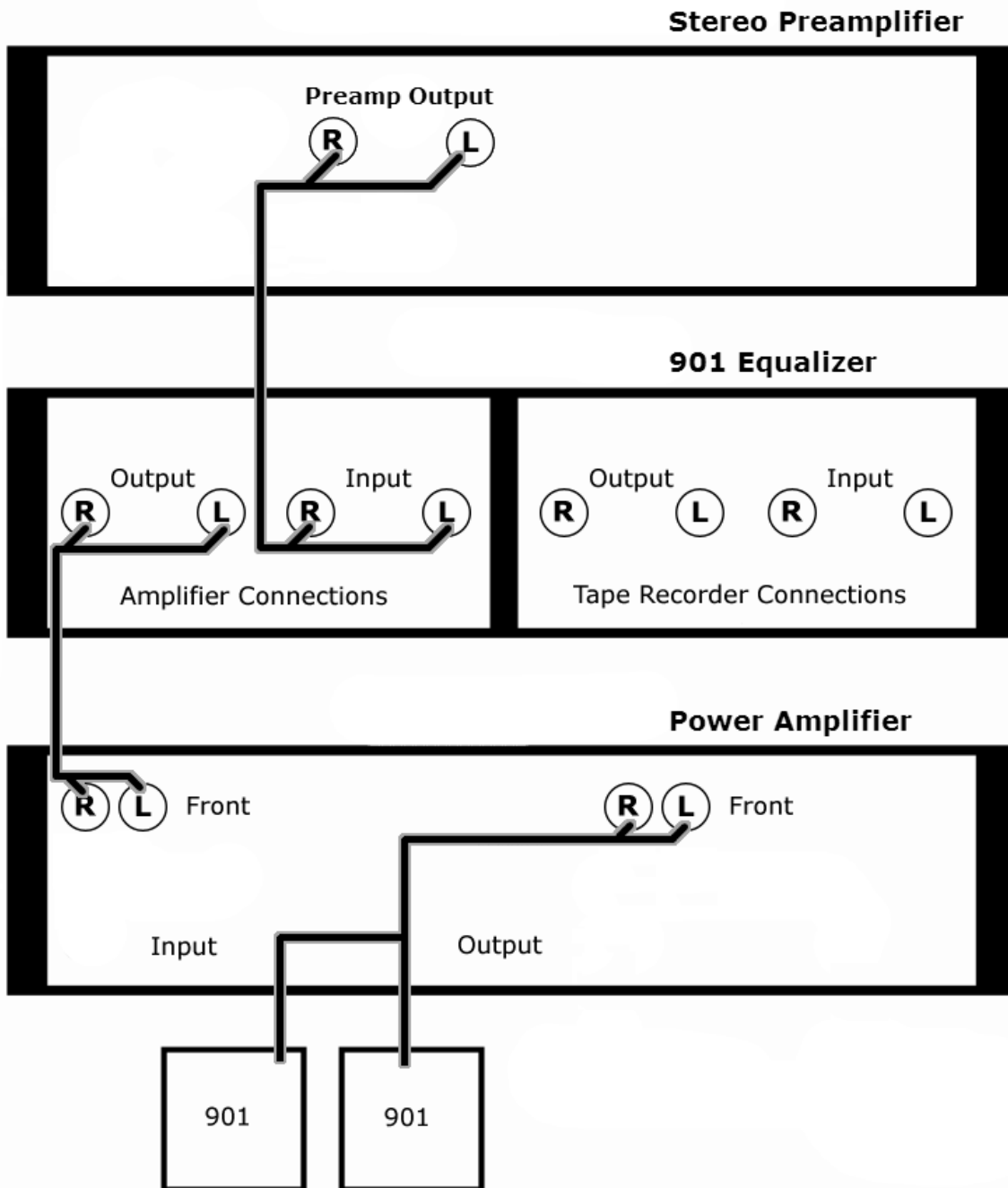
- **Using a receiver with preamp out and preamp in connections**

On modern receivers, preamp in and out jacks are more common than tape loops. Compatible receivers should have both "Preamp Out / Main Out" and "Preamp In / Main In" jacks. The 901 equalizer can be connected as diagrammed below



- **Using a preamplifier and power amplifier**

A preamplifier can be used in conjunction with a power amplifier to connect to the 901 equalizer. The connection diagram below shows the most common connections for this type of setup



The following is an archived list of several compatible receivers that can accept an external equalizer, including the 901 active equalizer

Note: Specifications subject to change without notice. Bose Corporation is not responsible for any inaccuracies due to manufacturer changes. Inclusion in this list does not indicate an endorsement by Bose Corporation. When in doubt, contact the manufacturer of your stereo receiver

This list will no longer be updated as of 10/22/2014

2009 – 2014 MODELS

MANUFACTURER	2014	2013	2012	2011	2010	2009
Denon 1-800-497-8921 www.usa.denon.com		DRA-697CI DRA-697CIHD	DRA-697CI DRA-697CIHD	DRA-697CI DRA-697CIHD	DRA-697CI DRA-697CIHD	DRA-697CI DRA-697CIHD
Harmon/Kardon 1-800-422-8027 www.harmonkardon.com	HK-3390 HK-3490	HK-3390 HK-3490	HK-3390 HK-3490	HK-3390 HK-3490	HK-3390 HK-3490	HK-3390 HK-3490
Marantz 1-800-654-6633 www.marantz.com			SR4023 CI	SR4023 CI	SR4023 CI	
McIntosh 1-805-526-2933 www.mcintoshlabs.com	MA5200 (IA) MA6300 (IA) MA6600 (IA) MA6700 (IA) MA7000 (IA) MA7900 (IA) MA8000 (IA)	MA2275 (IA) MA7000 (IA)	MA6300 (IA) MA6600 (IA) MA7000 (IA)	MA2275 (IA) MA6300 (IA) MA6600 (IA) MA6900 (IA) MA7000 (IA)	MA2275 (IA) MA6300 (IA) MA6600 (IA) MA6900 (IA) MA7000 (IA)	MA2275 (IA) MA6300 (IA) MA6500 (IA) MA6600 (IA) MA6900 (IA) MA7000 (IA)
NAD 1-781-784-8586 www.nadelectronics.com	C326BEE (IA) C356BEE (IA) C356BEE DAC (IA) C375BEE (IA) C725BEE (IA) M3 (IA)	C326BEE (IA) C356BEE (IA) C356BEE DAC (IA) C375BEE (IA) C725BEE (IA) M3 (IA)	C326BEE (IA) C356BEE (IA) C356BEE DAC (IA) C375BEE (IA) C725BEE (IA) M3 (IA)	C326BEE (IA) C355BEE (IA) C356BEE (IA) C375BEE (IA) C725BEE (IA) M3 (IA)	C326BEE (IA) C355BEE (IA) C356BEE (IA) C375BEE (IA) C725BEE (IA) M3 (IA)	C720BEE C725BEE M3 (IA)
Onkyo 1-800-229-1687 www.onkyousa.com		TX-8255	TX8255 A-9070 (IA)	TX8255	TX8255	TX8255
Outlaw Audio 1-866-688-5292 www.outlawaudio.com	RR2150	RR2150	RR2150	RR2150	RR2150	RR2150
Primare 1-510-843-4500 www.primare.net				I30 (IA)	I30 (IA)	I30 (IA)
Rotel 1-978-664-3820 www.rotel.com	RA-1570 (IA)	RA-1570 (IA)				RA1062 (IA)
Yamaha 1-800-492-6242 www.yamaha.com	A-S700 (Note: Receiver's front knobs must be adjusted each time input is changed)	R-S700	R-S700 RX-797 RX-397	RX-797 RX-397	RX-797 RX-397	RX-797 RX-397

(IA) = Integrated Amplifier (Does NOT include tuner)

2004 – 2008 MODELS

MANUFACTURER	2008	2007	2006	2005	2004
Denon 1-800-497-8921 www.denon.com	DRA-697CI DRA-697CIHD PMA-2000 IVR (IA)	PMA-2000 IVR (IA) DRA-697CI	DRA-685	DRA-685	DRA-685
Harmon/Kardon 1-800-422-8027 www.harmonkardon.com	HK-3385 HK-3485	HK-3385 HK-3380 HK-3480	HK-3380; HK-3480	HK-3380; HK-3480	HK-3380; HK-3480
KLH www.klhaudio.com	SR4021 PM7001 (IA)		PM7200 (IA);		KL-2400
Marantz 1-800-654-6633 www.marantz.com	MA2275 (IA) MA6300 (IA) MA6500 (IA) MA6900 (IA)	SR4021 PM7001 (IA)	MA2274 (IA); MA6300 (IA); MA6500 (IA); MA6900 (IA)	MA2274 (IA); MA6500 (IA); MA6900 (IA)	SR4320
McIntosh 1-805-536-2933 www.mcintoshlabs.com	C720BEE M3 (IA) C352 (IA) C372 (IA) C325BEE (IA)	MA2274 (IA) MA6300 (IA) MA6500 (IA) MA6900 (IA)	C320BEE (IA); C352 (IA); C372 (IA); C740BEE; M3	C320BEE (IA); C352 (IA); C372 (IA); C740BEE	
NAD 1-781-784-8586 www.nadelectronics.com	TX8222 TX8522	C720BEE M3 (IA) C320BEE (IA) C352 (IA) C372 (IA) C325BEE (IA)	TX8011; TX8211; TX8511	TX8011; TX8211; TX8511	C320BEE (IA); C352 (IA); C372 (IA); C740
Onkyo 1-800-229-1687 www.onkyousa.com		TX8222 TX8522		I30 (IA)	
Primare 1-510-843-4500 www.primare.net	I30 (IA)	I30 (IA)	I30 (IA)		
Rotel 1-978-664-3820 www.rotel.com	RA1062 (IA)	RA1062 (IA)	RA1062 (IA); RA1070 (IA)	RX-777	RX-1050
Radio Shack 1-800-THE-SHACK www.radioshack.com	RX-797 RX-397		RX-797		
Yamaha 1-800-492-6242 www.yamaha.com		RX-797			

(IA) = Integrated Amplifier (Does NOT include tuner)

If you need further assistance, please contact our Product and Technical Support department at 1-800-367-4008

Hours:

Mon. – Fri.: 8:30 AM to – 10 PM EST

Sat.: 9 AM – 5 PM EST