

BOSE

Cinemate® series II
Cinemate® GS series II

DIGITAL HOME THEATER SPEAKER SYSTEM

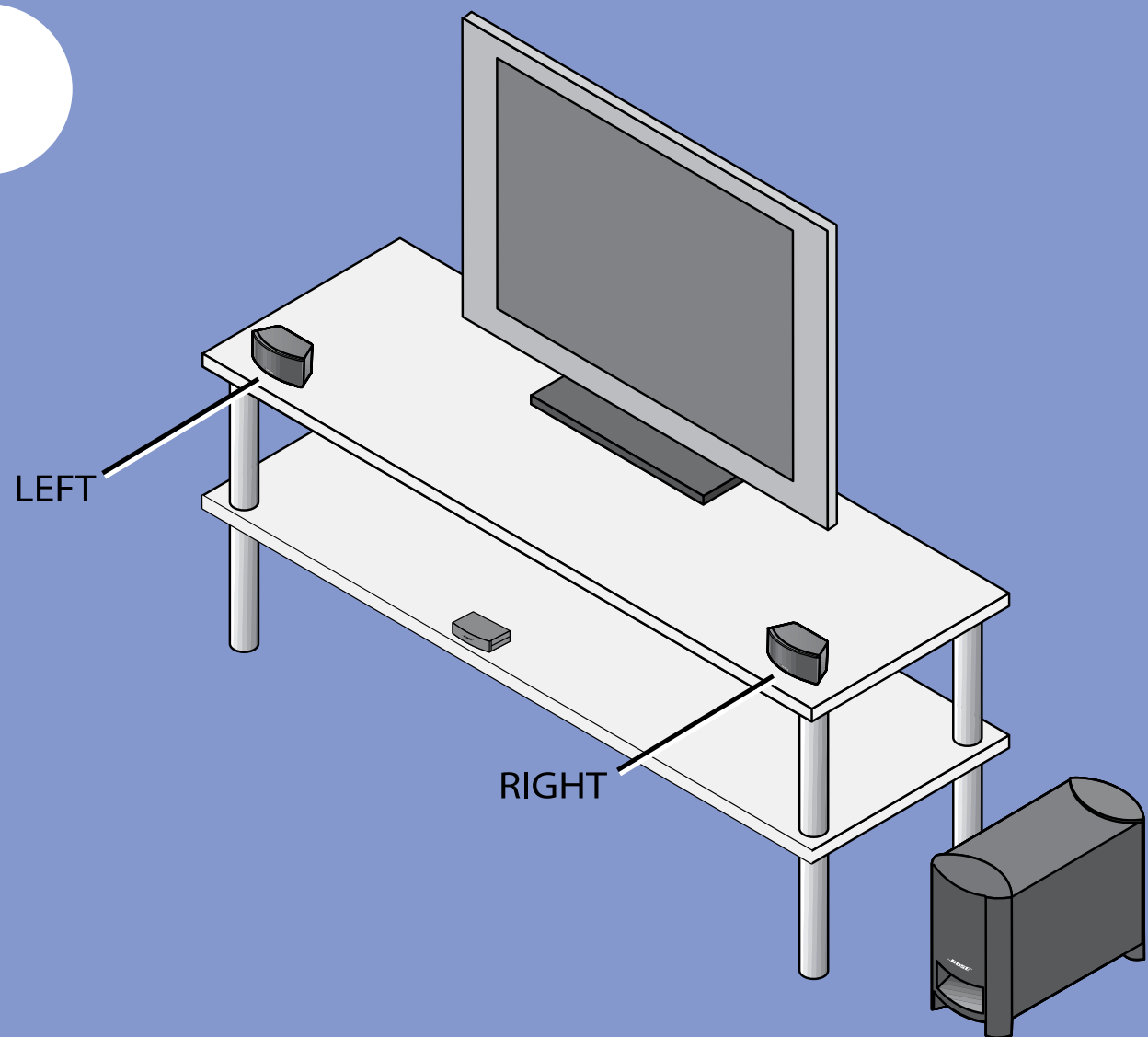
Quick Setup Guide



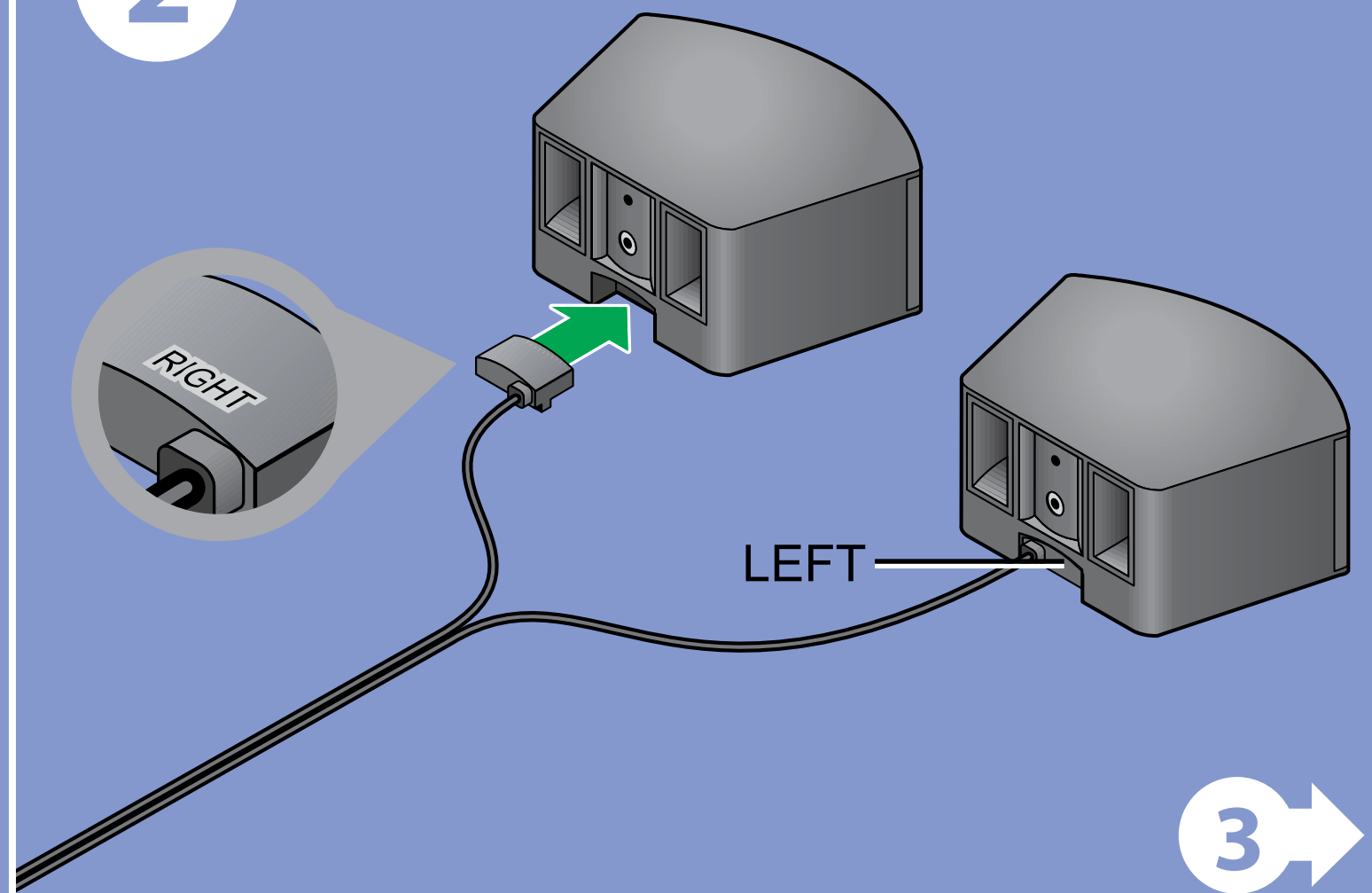
BOSE

©2009 Bose Corporation, The Mountain,
Framingham, MA 01701-9168 USA
AM323022 Rev.00

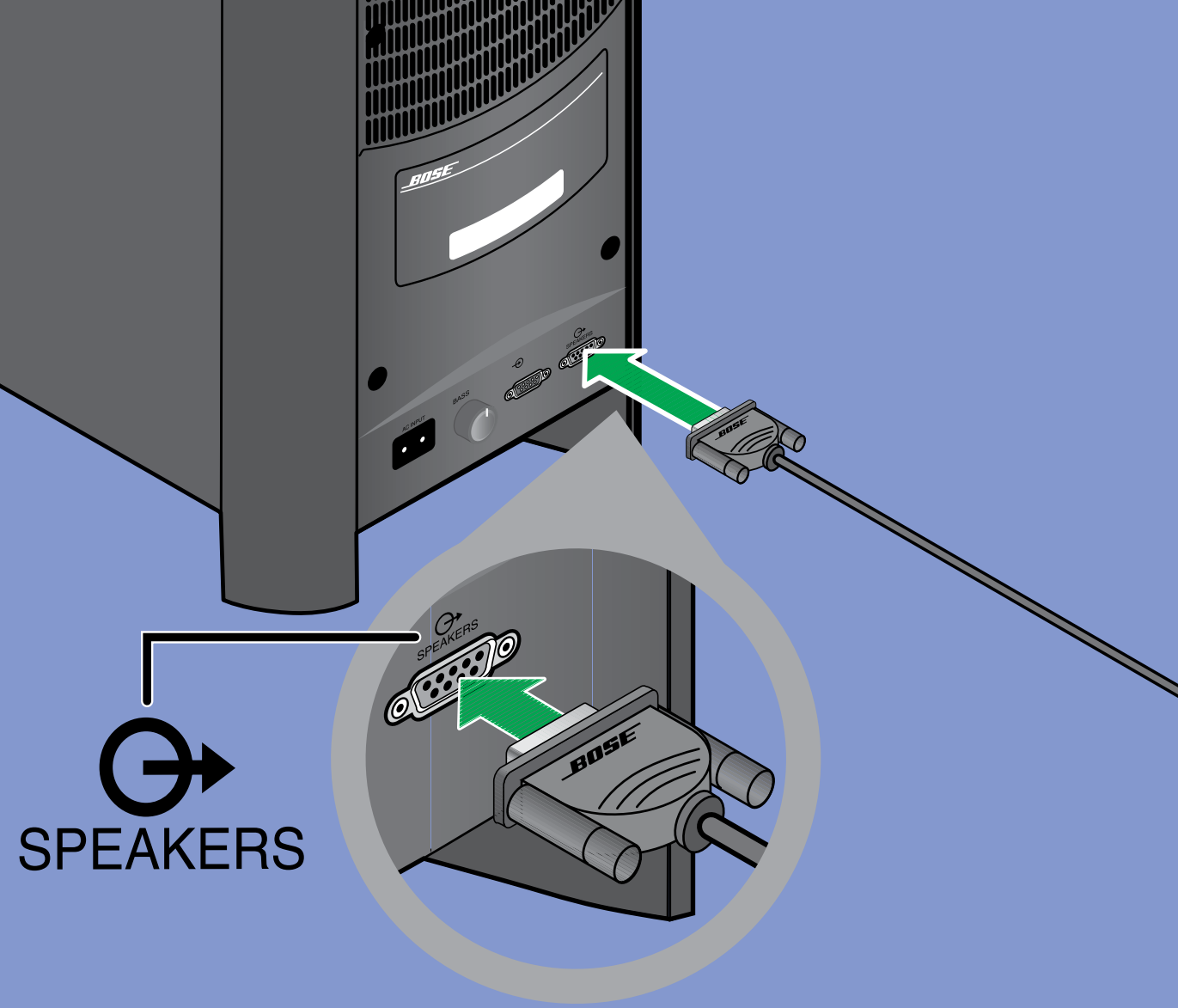
1



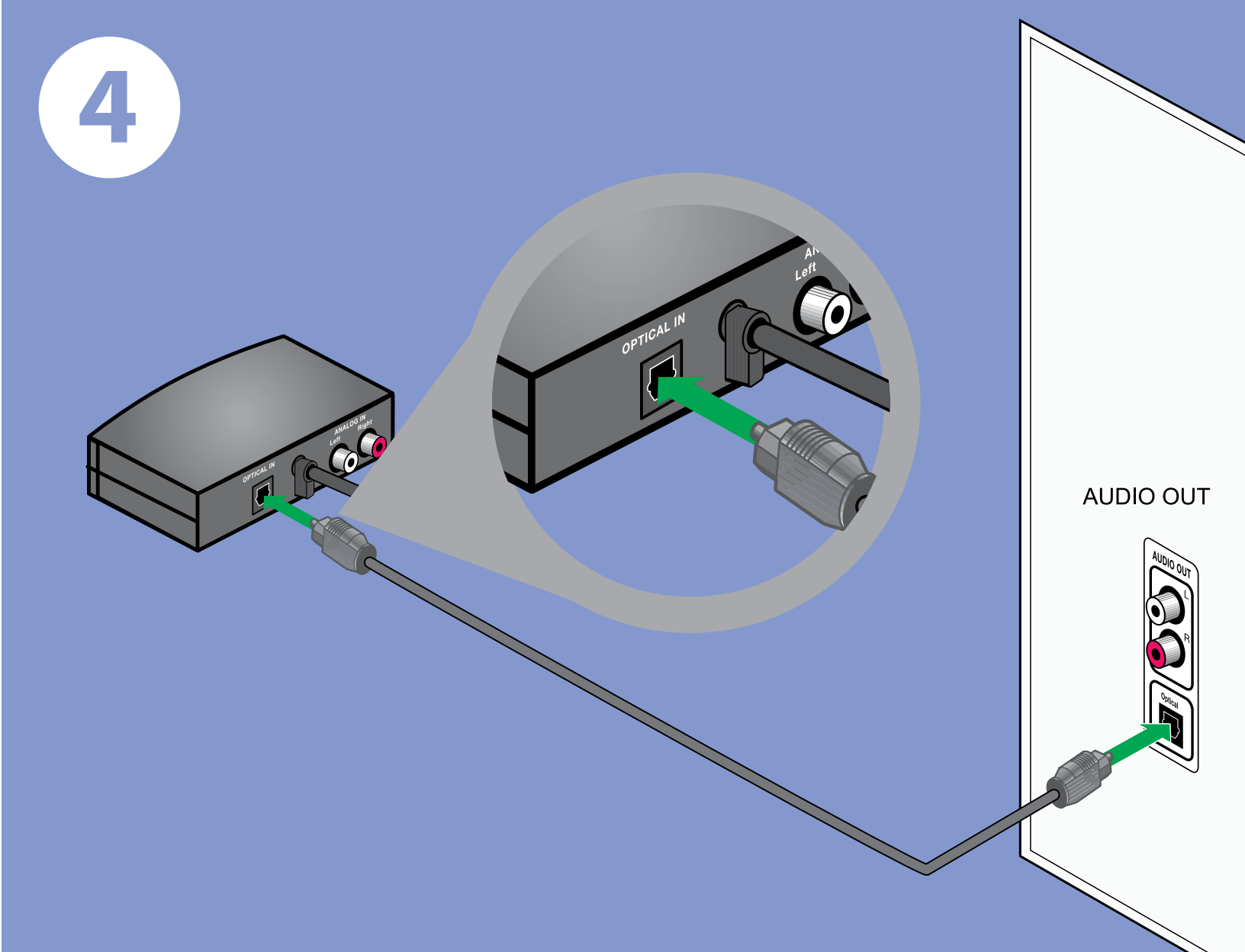
2



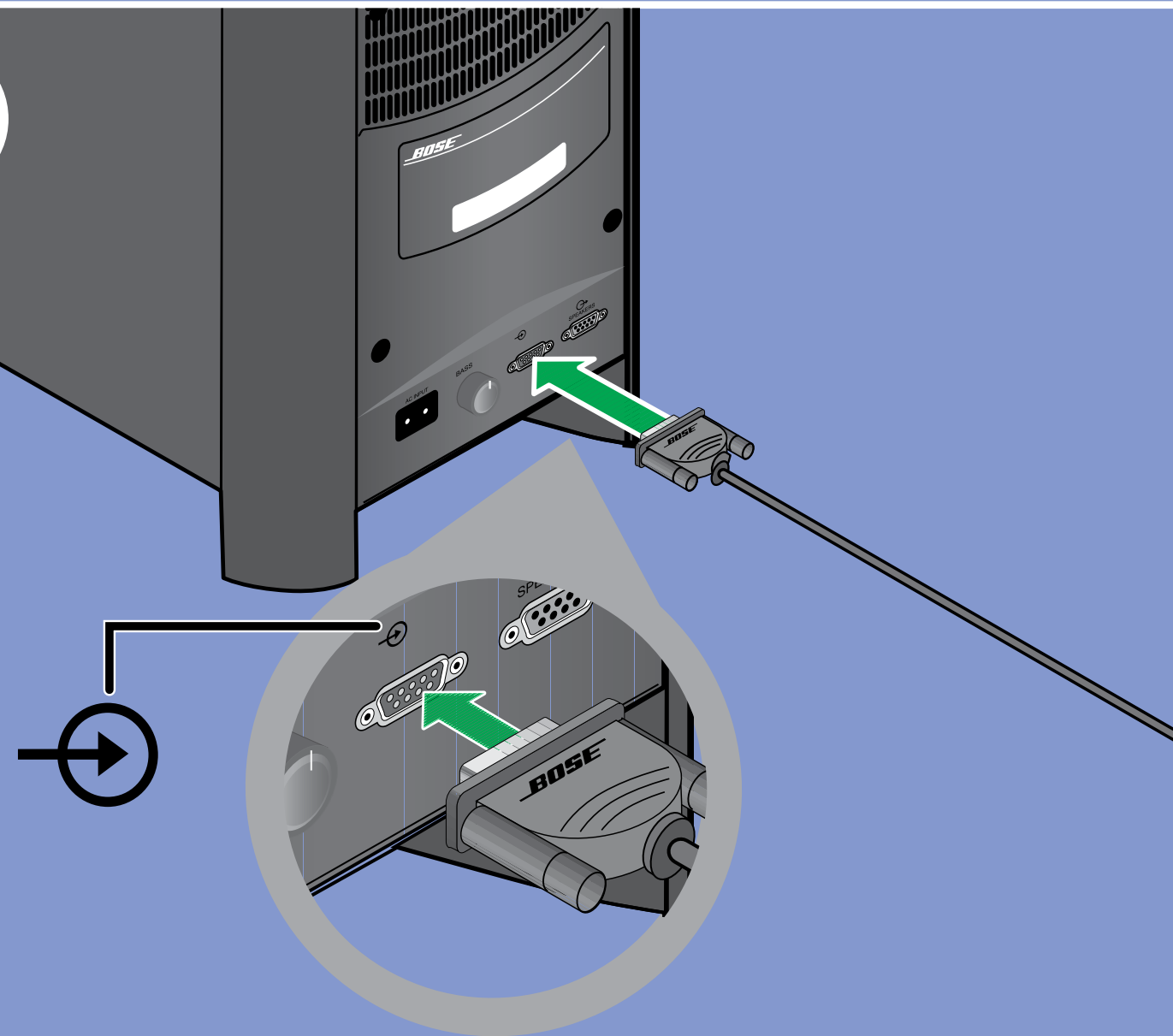
3



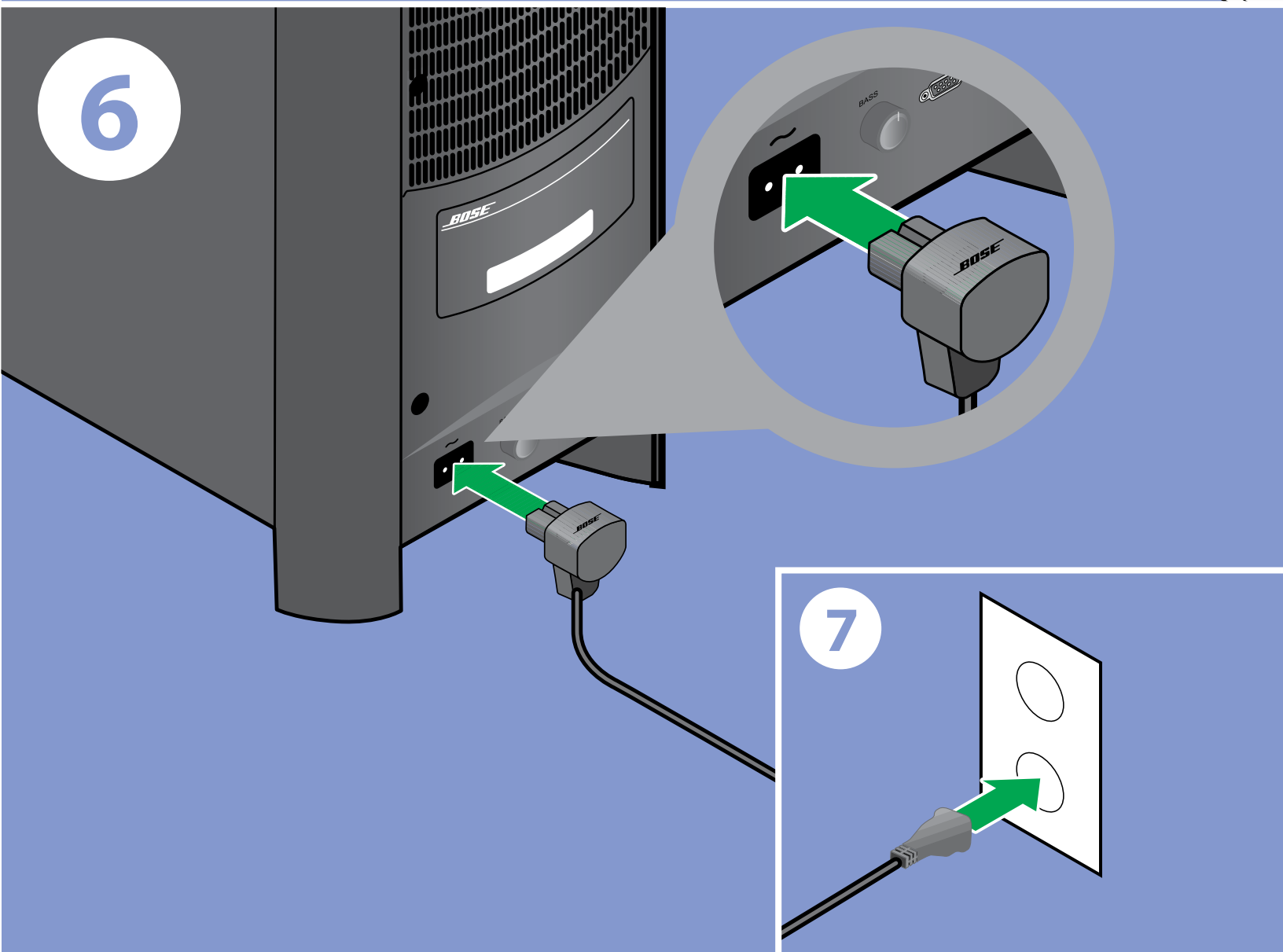
4



5



6



7

