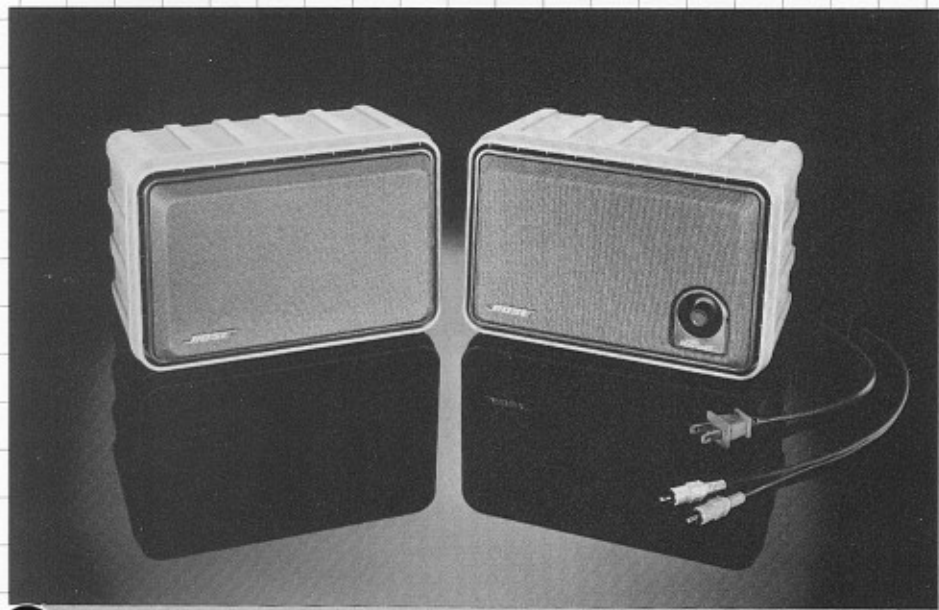


**BOSE**<sup>®</sup>

**Video  
Roommate**<sup>®</sup>  
POWERED SPEAKER SYSTEM

**Video  
RoomMate<sup>®</sup>  
Owner's Guide**



## WARNING

To reduce the risk of fire or electric shock, do not expose this system to rain or moisture.

## CAUTION

To reduce the risk of shock, do not remove the cover of this system. There are no user-serviceable parts inside. Refer servicing to qualified service personnel.

The CAUTION marks shown on this page are located on the back of your system.



The lightning flash, with arrowhead symbol within an equilateral triangle, is intended to alert the user to the presence of uninsulated "dangerous voltage" within the system enclosure that may be of sufficient magnitude to constitute a risk of electric shock.



The exclamation point within an equilateral triangle as marked on the system is intended to alert the user to the presence of important operating and maintenance instructions in this owner's guide.



### CAUTION

RISK OF ELECTRICAL SHOCK - DO NOT OPEN

TO PREVENT ELECTRICAL SHOCK, DO NOT REMOVE COVER. NO USER SERVICEABLE PARTS INSIDE. REFER SERVICING TO QUALIFIED PERSONNEL.

TO PREVENT FIRE OR SHOCK HAZARD, DO NOT EXPOSE THIS UNIT TO RAIN OR MOISTURE.

### AVIS

RISQUE DE CHOC ELECTRIQUE - NE PAS OUVRIR

AFIN DE PREVENIR UN CHOC ELECTRIQUE NE PAS ENLEVER LE COUVERCLE ARRIERE. IL NE SE TROUVE A L'INTERIEUR AUCUNE PIECE POUVANT ETRE REPARÉE PAR L'USAGER. S'ADRESSER A UN REPARATEUR COMPETENT.

## Warning

Never disassemble any part of your Video RoomMate system. There are no user-serviceable parts inside.

Never connect your Video RoomMate system to the speaker outputs of a receiver or amplifier, as it could be damaged if connected in this manner.

## BEFORE YOU BEGIN . . .

Thank you for purchasing the Bose® Video RoomMate® System. Because the Video RoomMate system is so unique, you should take the time to read and follow the instructions in this owner's guide. It will help you get the most enjoyment possible out of your new Video RoomMate system.

## 1. How to Use Your Video RoomMate System

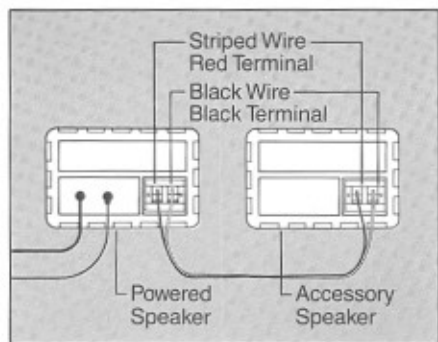
### Unpacking

After opening the carton, carefully remove the foam packing cradles. Next, remove the packing cradles from each speaker. Save all packing materials and the owner's guide for possible future use.

### Hooking Up

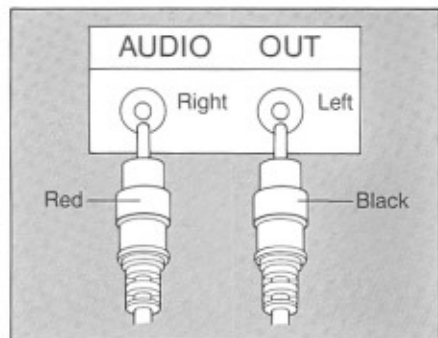
Before you plug the Video RoomMate system into the wall outlet, make sure that all the following connections have been made properly and that the volume control is turned all the way down.

- Carefully identify the two separate speakers. The LEFT (POWERED) speaker has the AC cord, input connectors, and speaker terminals located on the back. The RIGHT (ACCESSORY) speaker has speaker terminals.



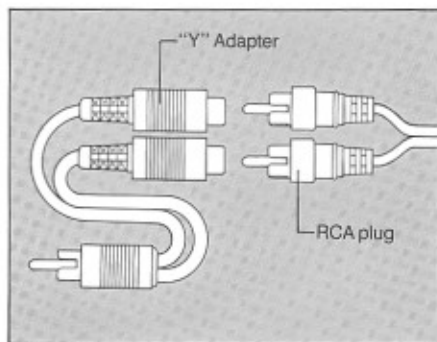
**Figure 1**

b. Use the enclosed two-conductor speaker wire to connect the terminals on the LEFT speaker with those on the RIGHT speaker (Fig 1). The conductor with the RED stripe should be connected to the RED terminal on the back of each speaker. The remaining all-BLACK conductor should be connected to the BLACK terminal on each speaker. To make the connection on all terminals, simply press the button located at the base of the terminal. This will cause a small hole in the terminal to appear, into which the bare end of the wire should be inserted.



**Figure 2**

- c. Plug the input cable (RCA plugs from POWERED speaker) into the AUDIO output jacks of your VCR, disc player, or TV/Monitor (Fig. 2). The RED plug is RIGHT (R) and the BLACK plug is LEFT (L). If the unit that the Video RoomMate system is to be used with only has one audio output jack, use the supplied "Y" adapter to connect the two Video RoomMate system inputs to the one audio output jack (Fig. 3).
- d. Finally, plug the POWERED speaker's AC cord into the wall outlet. The system is now ready for use.



**Figure 3**

## Operating the System

Properly connected, the Bose® Video RoomMate® system is very easy to use. The following information will help you get the most enjoyment out of your system.

**Volume Control:** This control lets you adjust the volume of the Video RoomMate system and is especially useful when the system is connected to components without volume controls (such as VCRs and disc players). To use, simply turn the control (located on the front of the POWERED speaker) to the RIGHT for increasing volume, and to the LEFT for decreasing volume. If the

unit that the Video RoomMate® system is connected to has a volume control, turn that unit's control up **slightly**. Then use the volume control on the Video RoomMate system to achieve desired volume levels.

*NOTE:* Make sure that the volume control is turned all the way down when you are not using the Video RoomMate system. If the system is not going to be used for any length of time, unplug it from the wall outlet.

**Adjusting Tone:** The Video RoomMate system incorporates a preset equalizer for proper bass and treble balance. This tone setting cannot be adjusted. However, any tone controls on the source unit (such as the tone control on a TV) can be used when the source unit is playing through the Video RoomMate system.

**Placing the Speakers:** Generally, placement close to the TV screen provides the most realistic sound. Since the Video RoomMate system is magnetically shielded, it can be placed directly next to a TV screen without causing picture interference. If longer distances are required between the speakers, simply replace the speaker wire (supplied) with a suitable length of 18-gauge (.75 mm) speaker wire. Make sure you follow the directions under the "Hooking Up" section.

## 2. Care and Maintenance

The Video RoomMate system requires very little maintenance. Occasional cleaning should be done with a damp cloth **WHILE THE SYSTEM IS UNPLUGGED**. **Never use any chemicals to clean your system, and never allow liquids of any kind to enter the unit's openings.**

To avoid potential problems and hazards, please observe the following:

- Avoid placing the system near direct heat sources such as radiators, stoves, other appliances, etc. Avoid placing the system in direct sunlight. Make sure the system has adequate ventilation.
- Make sure that the available voltage is compatible with the unit before it is plugged in.
- Make sure all power and speaker cords are located where they will not be stepped on, pinched or cut.
- If you plan on not using the system for any length of time, make sure you unplug it from the wall outlet. Always unplug the unit by grasping the plug itself. **Never** pull the plug out by the cord. During normal use, make sure the volume control is turned down when the system is not being played.
- Do not let the system get wet. Do not operate it near bathtubs, swimming pools, sinks, etc.

CONTINUED ON BACK PANEL

f. Have the system serviced by qualified personnel when any of the following occur:

- The AC cord or plug has been damaged.
- Objects or liquids have fallen into or spilled into the unit.
- The unit has been exposed to moisture.
- The unit does not appear to be operating normally or exhibits a marked change in performance.
- The unit has been dropped or damaged in any way.

g. Do not connect either the POWERED speaker or the ACCESSORY speaker to any other manufacturer's system.

h. **Never attempt to service the unit yourself.** There are no user-serviceable parts inside. Refer all servicing to qualified personnel.

---

### 3. In Case of Difficulty

Although actual servicing should be referred to qualified personnel, many problems that might occur are more likely to be the result of improper hookup rather than any real defect. If you have any of the following problems, try the suggested solutions before returning your unit.

#### **No sound with system plugged in.**

Source component (TV, VCR, etc.) not properly connected to unit. Also, make sure that the source component itself is working properly (batteries are OK, tape has something on it, etc.). Check volume controls.

#### **System doesn't play.**

Power cord may be either unplugged or improperly connected. Check cord and connections.

#### **Only one speaker plays.**

1. The ACCESSORY speaker (RIGHT) may be improperly connected. Check connection, wires, and terminals.
2. The balance control on the source component might be turned all the way left or right. Check the control.
3. The source component may not be stereo. Connect a "Y" connector adapter and plug the Video Room-Mate® system back in.

#### **Sound is too loud and/or is distorted.**

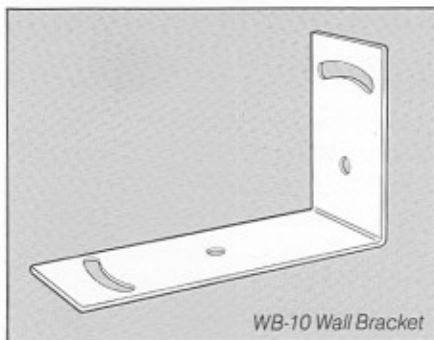
The source component's volume may be too high. Turn the source volume down, and use the volume control on the Video RoomMate system.

---

## 4. Accessories

Accessories are available from:  
Bose® Corporation  
Customer Service Department  
The Mountain  
Framingham, MA 01701-9168  
(508) 366-9896

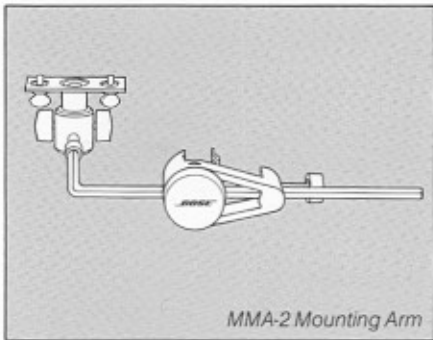
**WB-10 Wall Bracket:** Mounts your Video RoomMate system directly against a wall or other surface.  
Part No. 125384.



WB-10 Wall Bracket

**MMA-2 Mounting Arm:** Mounts your Video RoomMate® system above a desk, shelf, or table. Part No. 125385.

*Please Note: RoomMate products should be mounted only in the manner recommended by Bose®. Consult the instructions supplied with mounting accessories.*

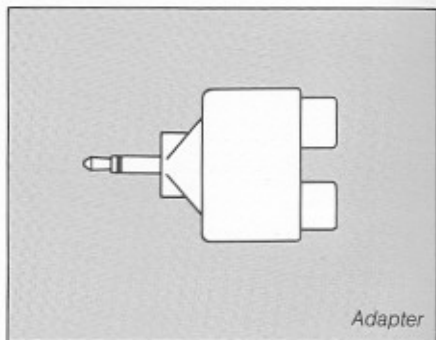


MMA-2 Mounting Arm

**Adapters:** Connects your Video RoomMate system to additional components.

- **Stereo RCA to 3.5mm head-phone plug.** For using your Video RoomMate with stereo sources. Part No. 128404.

- **Mono RCA to 3.5mm head-phone plug.** For using your Video RoomMate with mono sources. Part No. 128055.



Adapter

**TB-1 Travel Bag:** For transporting your Video RoomMate system and accessories. Part No. 125539.



TB-1 Travel Bag

Covered by patent rights issued and/or pending.  
© Copyright 1985 Bose Corporation. All rights reserved.  
Product features and specifications subject to change  
without notice. Printed in U.S.A.

Australia, Belgium, Canada, England, France, Germany,  
Greece, Ireland, Italy, Japan, Netherlands, Spain, Switzerland,  
United States.

Bose Corporation  
The Mountain  
Framingham, MA 01701-9168

**BOSE®**  
Better sound through research.