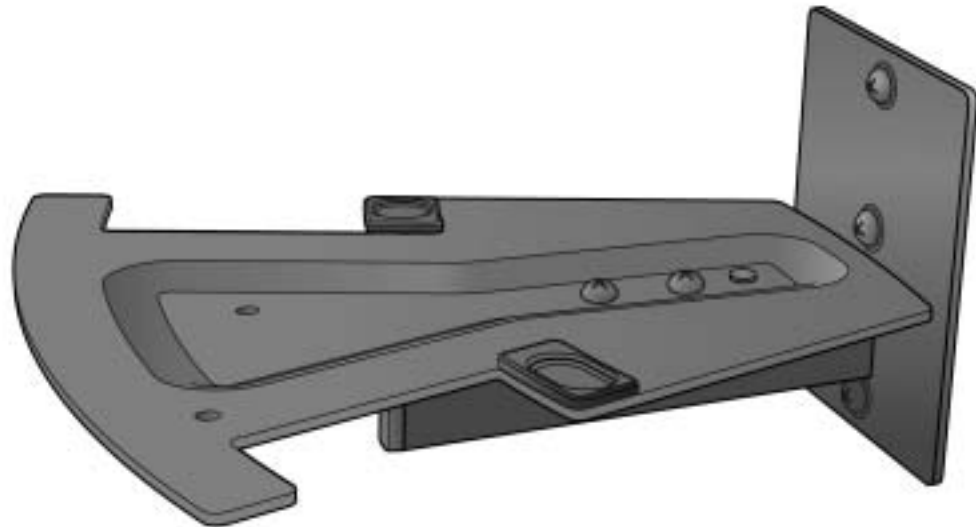
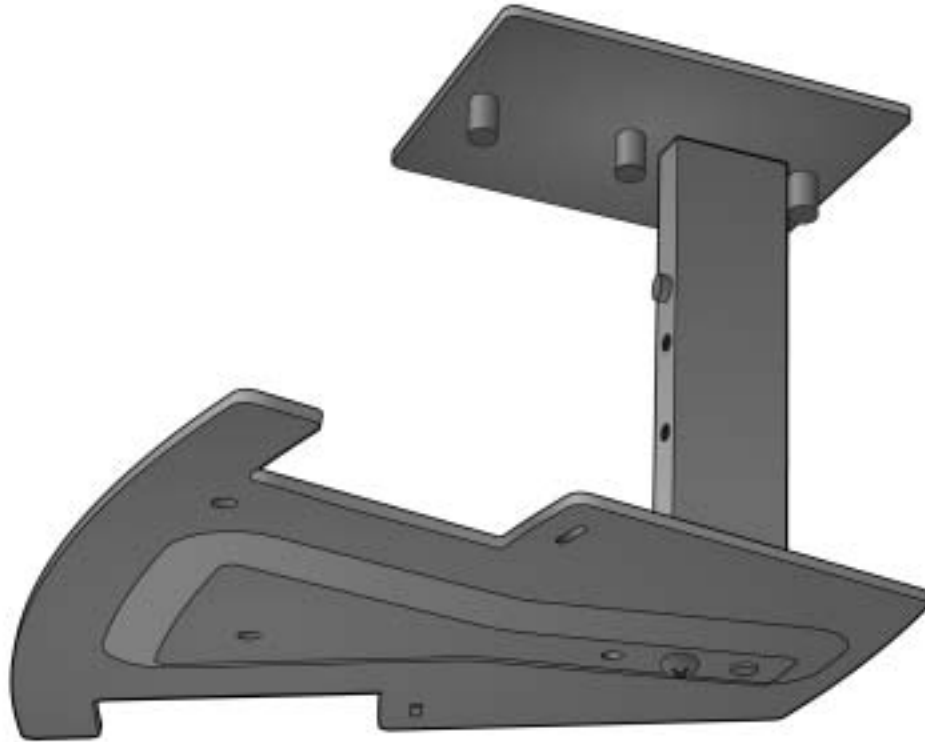


Wave[®] Music System

UNDER-CABINET/WALL BRACKET

Installation Guide



INTRODUCTION

Thank you for your purchase

Thank you for choosing this Bose® under-cabinet/wall bracket, which expands your choice of convenient locations for a Wave® music system, Wave® radio II, or Wave® radio/CD. In some types of installation, as defined later in this guide, the bracket also may be used with a Wave® music system and Multi-CD Changer combination. Whether mounted to a wall or under a cabinet, the bracket provides a secure support for each Wave® product mentioned above.

Please read this guide

Please read this guide thoroughly before mounting the bracket. By reading and following the appropriate instructions, you can be more confident of a secure and successful installation.

Be sure to use the proper mounting hardware

Making the proper choice of supplied mounting hardware, as indicated in this guide, is critical to a safe and solid bracket installation.

⚠ CAUTION: Use of improper hardware may void warranty coverage on your bracket and that of the Wave® product supported by the bracket.

Important safety instructions

1. **Read these instructions** – for all components before using this product.
2. **Keep these instructions** – for future reference.
3. **Heed all warnings** – on the product and in the *Installation Guide*.
4. **Follow all instructions.**
5. **Only use attachments/accessories and hardware specified by the manufacturer.**

Additional safety information

⚠ WARNING:

- Do not use the bracket outdoors.
- Do not mount or use the bracket in any vehicle, including RVs and boats. Vehicular movement can cause the product seated on the bracket to dislodge from its position.
- Keep small mounting hardware and any plastic bags, which may constitute choking hazards, away from small children.
- Do not use the bracket as a handhold, step, or shelf for any item other than the Wave® product it is designed to hold.

⚠ CAUTION:

- Do not mount the bracket to a cabinet where a source of heat or steam is below the bracket and the cabinet is less than 15.7 inches (40 cm) above the countertop. This could damage the Wave® product or create a safety hazard.
- Do not expose the bracket to dripping or splashing, nor place objects such as vases above the bracket.
- To reduce the risk of fire, do not mount the bracket above or near an appliance that is used for cooking or produces heat.
- Only mount on surfaces that are as sturdy as those specified in this guide.
- Do not mount on surfaces that have hazards concealed behind them, such as electrical wire or plumbing. If you are unsure about installing the bracket, contact a qualified professional installer.
- Mount the bracket with the platform in a horizontal orientation only, as shown in this installation guide.
- Do not put any liquids or a naked flame, such as a candle, on the Wave® product.
- Avoid pressing up on the mounted radio. It can dislodge, which could present a hazard or cause damage.
- Clean the bracket only with a damp cloth and mild soap.

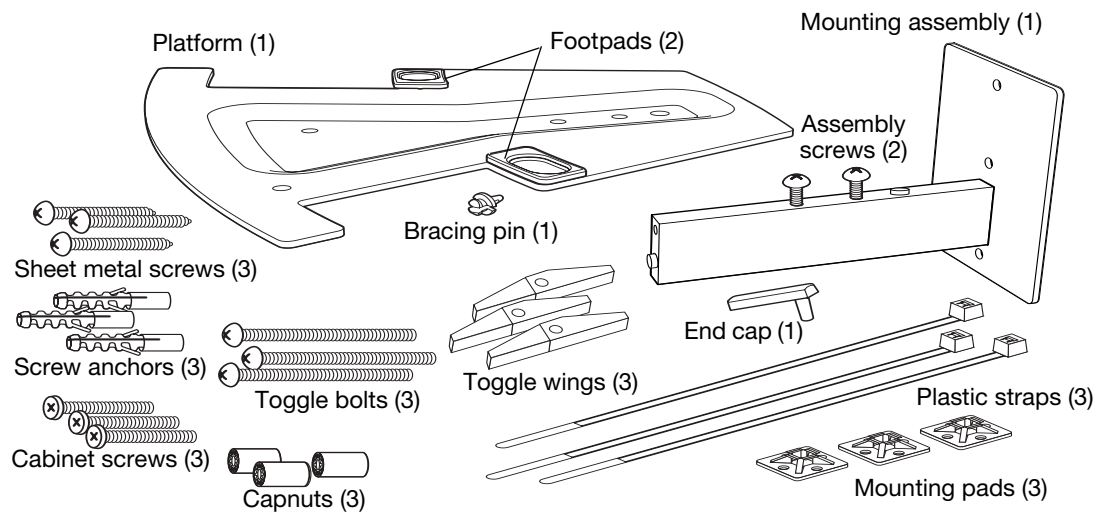
BRACKET INSTALLATION

Unpacking the carton

Carefully unpack the carton and save the packing materials, which provide the safest means for shipping or transporting. Check to be sure you have all of the supplied parts (Figure 1).

Figure 1

Bracket carton contents



This guide provides information on the proper use of several types of mounting hardware (shown above) for each of the four bracket-mounting options explained later in the guide.

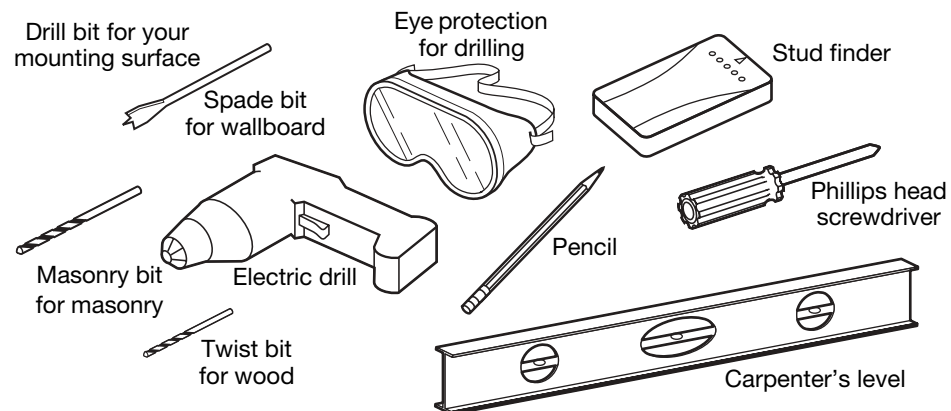
Use only the mounting hardware that is supplied.

Other equipment you may need

You need to use the proper tools to drill holes for the mounting hardware and to assemble and mount the bracket properly to the surface you have chosen. Consider using the tools shown here (Figure 2).

Figure 2

Tools and other equipment you may need for installing the bracket



BRACKET INSTALLATION

Before using your drill

Before you begin to drill, center the tip of the drill bit in each drill hole circle you draw.

- ▲ **WARNING:** Use eye protection and be sure to observe all safety precautions while using a drill or cutting tool.
- ▲ **WARNING:** Make sure the spot chosen is safe for cutting. Do not cut through surfaces that may have hazards such as electrical wiring, conduits, or plumbing concealed behind them. Follow all other safety precautions.

**Deciding where to mount the bracket**

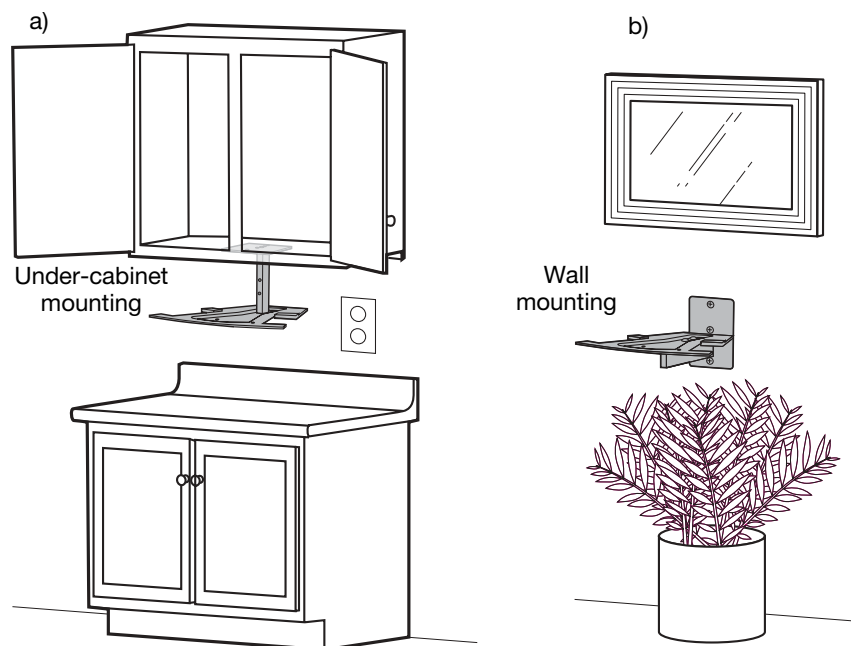
Before you assemble the bracket by attaching the platform to the mounting assembly, decide which type of mounting you prefer. Choose wall mounting to allow for the height required by a Wave® music system on a Multi-CD Changer or a Wave® radio/CD. These products do not fit in an under-cabinet installation.

Also consider:

- Convenience.
- Distance to an electrical outlet.
- Appearance of your Wave® system in this location (Figure 3).
- Access to system features, like the CD player, as needed.

Figure 3

Bracket used for a) under-cabinet or b) wall mounting



For under-cabinet mounting, follow instructions for “Under-cabinet installation” on page 5.

For wall mounting, follow instructions for “Mounting the bracket on a wall” on page 7.

UNDER-CABINET INSTALLATION

Mounting the bracket under a cabinet

In an under-cabinet mounting, the front of your Wave® system measures 11¼ inches (28.5 cm) from the rear of the mounting assembly. On either side, your Wave® system measures 7¼ inches (18.4 cm) from the center of the platform.

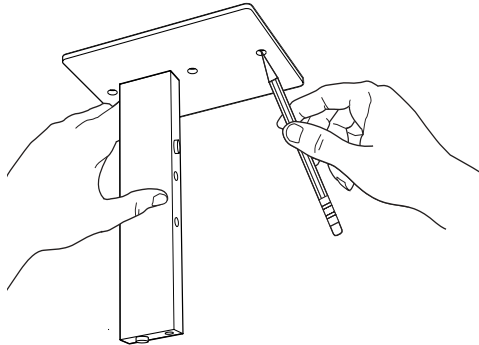
Before drilling any holes:

1. Remove the assembly screws and Caution card from the mounting assembly. Save one of the screws for use in assembling the bracket.
2. Position the mounting assembly at the angle you want under the cabinet.
3. Mark the three drill holes with a pencil (Figure 4).

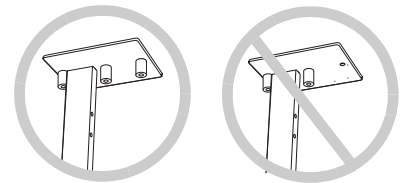
WARNING: Do NOT use the mounting assembly as a template while drilling.

Figure 4

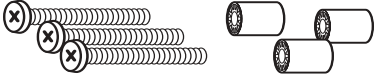

Marking drill holes for under-cabinet mounting



CAUTION: Be sure to use all three screws in the mounting assembly holes.



Use the proper mounting hardware and drill hole size indicated below:

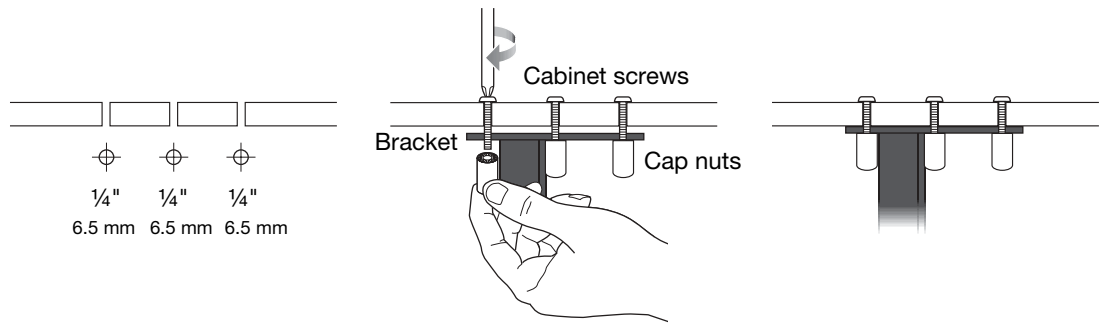
Mounting surface	Supplied hardware to use	Drill bit type	Hole size
Particle board or wood cabinet bottom ½" to 1" thick CAUTION: If your cabinet is not as strong as specified above, mounting there can damage your shelf or cause the bracket to fall. Use a different surface for mounting the bracket.	Cabinet screws and capnuts  ¼" - 20 x 1¼"	¼" (6.5 mm) Twist bit 	¼" (6.5 mm)

Drill the three holes and attach the bracket as shown (Figure 5). Do not use a screw gun to tighten the cabinet screws.



Figure 5

Under-cabinet attachment steps



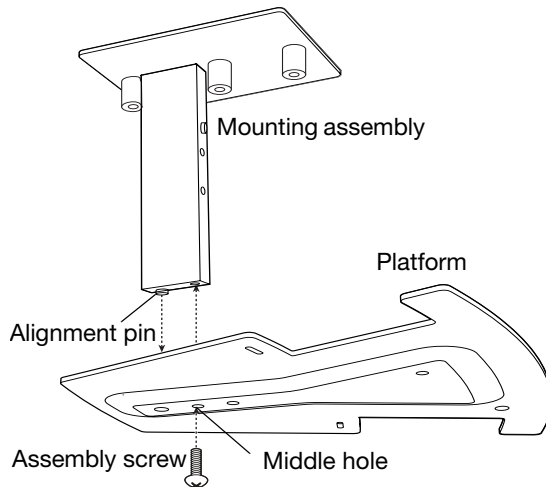
Finalizing the under-cabinet assembly

You are now ready to assemble the bracket, using one of the two assembly screws:

1. On the top of the platform, fit the mounting assembly alignment pin into the rear of the three holes (Figure 6).
2. From under the platform, insert the screw through the middle hole on the platform and into the mounting assembly bar above the platform. Tighten the screw to hold the platform securely in place.

Figure 6

Under-cabinet bracket assembly



Securing your Wave® product to the bracket

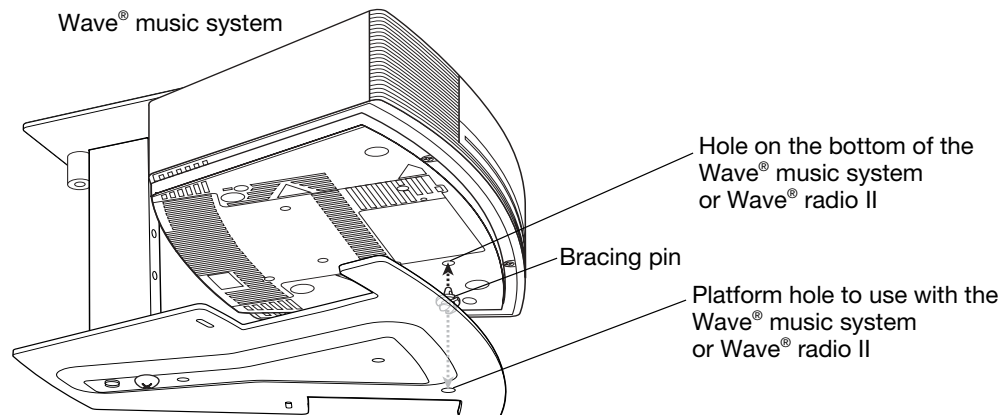
With the bracket securely mounted, be sure to add the bracing pin, as instructed below, for increased stability when you place your Wave® system on the platform.

CAUTION: Be sure to insert the pin only in the bracket platform hole that is appropriate for the Wave® music system and Wave® radio II.

1. Press the two halves of the pin together and fit them through the proper hole on the platform (Figure 7). The pin snaps into place.
2. Lower your Wave® system onto the platform, making sure it engages the pin and that the back feet of the Wave® system rest securely inside the foot pads on the platform.

Figure 7

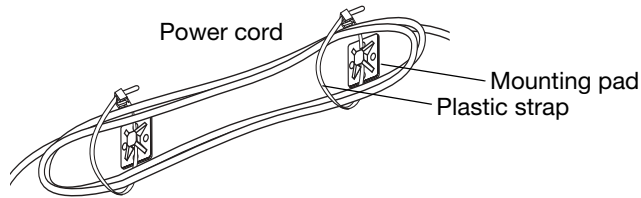
Securing your Wave® music system to the bracket



When the Wave® product you are using is properly secured to the bracket, plug the system power cord into an AC wall outlet. For any remaining length of cord, be sure to use the supplied plastic straps and mounting pads (Figure 8). Loosely bundle the cord and attach it where it will not hang down or be seen.

Figure 8

Bundling and attaching any loose cord



Avoid tightly bundling the cord, which contains the FM antenna.

Mounting the bracket on a wall

In a wall mounting, the front of your Wave® system measures 12 inches (30.5 cm) from the rear of the mounting assembly. On either side, your Wave® system measures 7¼ inches (18.4 cm) from the center of the platform.

WARNING: For use of the bracket with a Wave® music system and Multi-CD Changer, do NOT mount the bracket directly to wall board (sheetrock). For this purpose, use the type of surface and mounting hardware described in B or C on page 8. Also, for this purpose, do NOT mount the bracket on a wall under a cabinet.

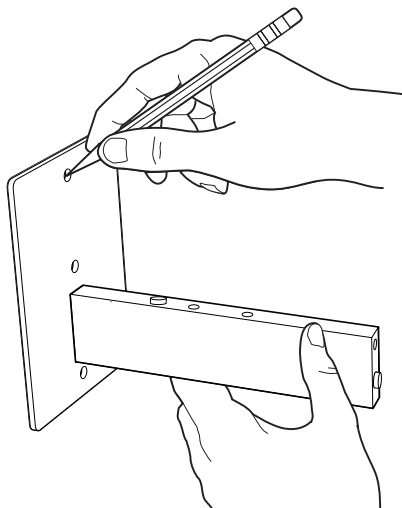
Before drilling any holes:

1. Remove the assembly screws and Caution card from the mounting assembly. Save both screws for use in assembling the bracket.
2. Position the mounting assembly where you want it on the wall. You may use a carpenter's level to make sure the assembly is straight.
3. Mark the three drill holes with a pencil (Figure 9).

WARNING: Do NOT use the mounting assembly as a template while drilling.

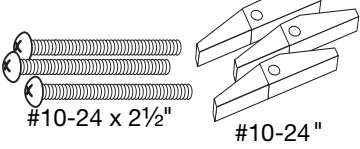

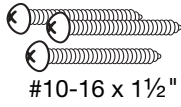

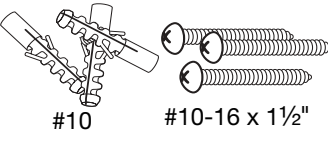

Figure 9

Marking drill holes for wall mounting



WALL INSTALLATION

Use the proper mounting hardware and drill hole size for your wall surface: A. wallboard, B. wood or metal studs, or C. masonry:

Wall construction	Supplied hardware to use	Type of drill bit	Hole size
<p style="text-align: center;">A</p> <p>Wallboard (sheetrock) 3/8" or thicker See Figure 10A for details on use. Do NOT mount to wood paneling.</p>	<p>Toggle bolts and wings</p>  <p>#10-24 x 2 1/2" #10-24"</p> <p>Do NOT use sheet metal screws.</p>	<p>1/2" (13 mm) Spade bit</p> 	<p>1/2" (13 mm)</p>
<p style="text-align: center;">B</p> <p>Wood or metal studs See Figure 10B for details on use.</p>	<p>Sheet metal screws</p>  <p>#10-16 x 1 1/2"</p>	<p>3/32" (2.5 mm) Twist bit</p> 	<p>3/32" (2.5 mm)</p>
<p style="text-align: center;">C</p> <p>Masonry See Figure 10C for details on use.</p>	<p>Screw anchors and sheet metal screws</p>  <p>#10 #10-16 x 1 1/2"</p>	<p>3/8" (10 mm) Masonry bit</p> 	<p>3/8" (10 mm)</p>

⚠ CAUTION: If your mounting surface is not of the type or grade specified above, it may not be strong enough. Mounting there can damage your wall or cause the bracket to fall. Use a different surface for mounting the bracket.

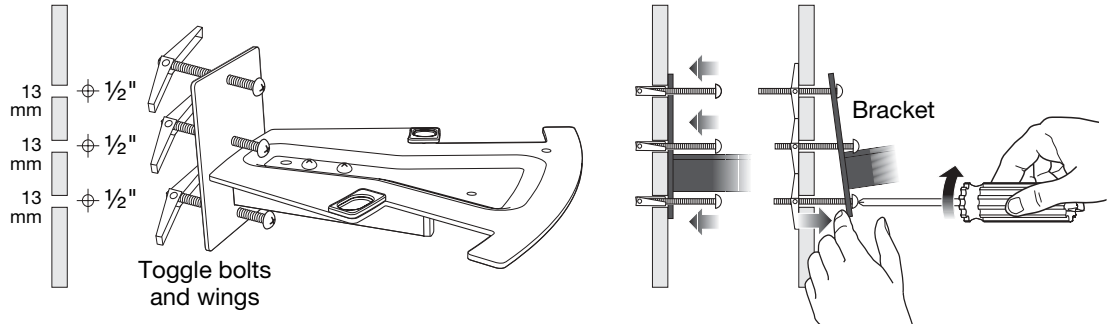
Drill the three holes and attach the bracket as shown (Figure 10). Do not use a screw gun to tighten the screws or bolts.



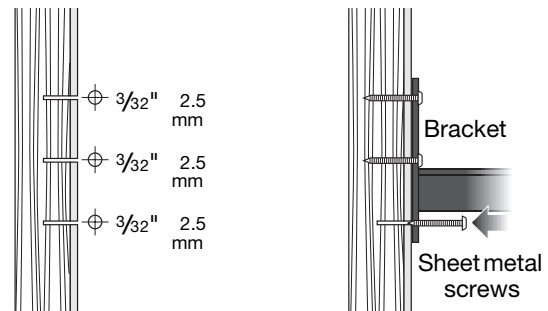
Figure 10

Wall attachment steps for A, B, or C

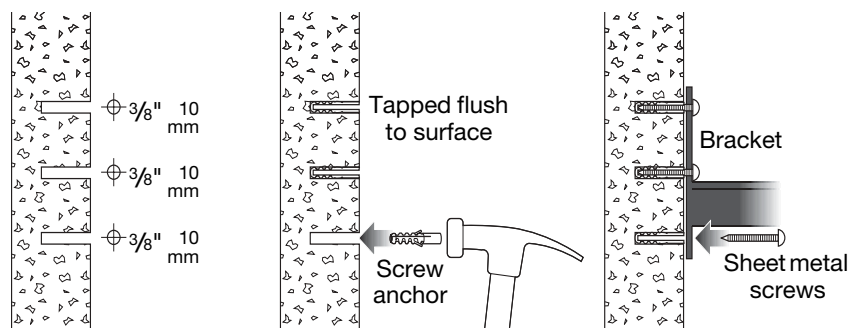
A. Mount to wall board (sheetrock) using toggle bolts and wings.



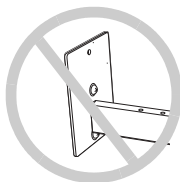
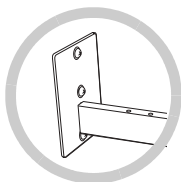
B. Mount to the wooden or metal stud behind a wall using sheet metal screws.



C. Mount to masonry using sheet metal screws and plastic anchors.



CAUTION: Be sure to use all three screws in the mounting assembly holes.



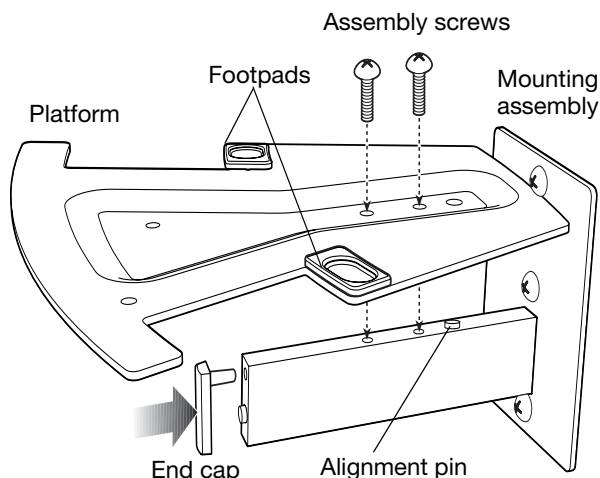
Finalizing the wall bracket assembly

You are now ready to assemble the bracket, using the two assembly screws:

1. Attach the end cap to the end of the mounting assembly bar (Figure 11).
2. Place the bottom of the platform on top of the mounting assembly bar so that the rear hole on the platform fits onto the alignment pin on top of the bar.
3. Insert the two screws from above the platform and tighten both to hold the platform securely in place.

Figure 11

Wall bracket assembly



Securing your Wave® product to the bracket

With the bracket securely mounted, be sure to add the bracing pin, as instructed below, for increased stability when you place your Wave® system on the platform. Do not use the pin with a Wave® music system and a Multi-CD Changer combination.

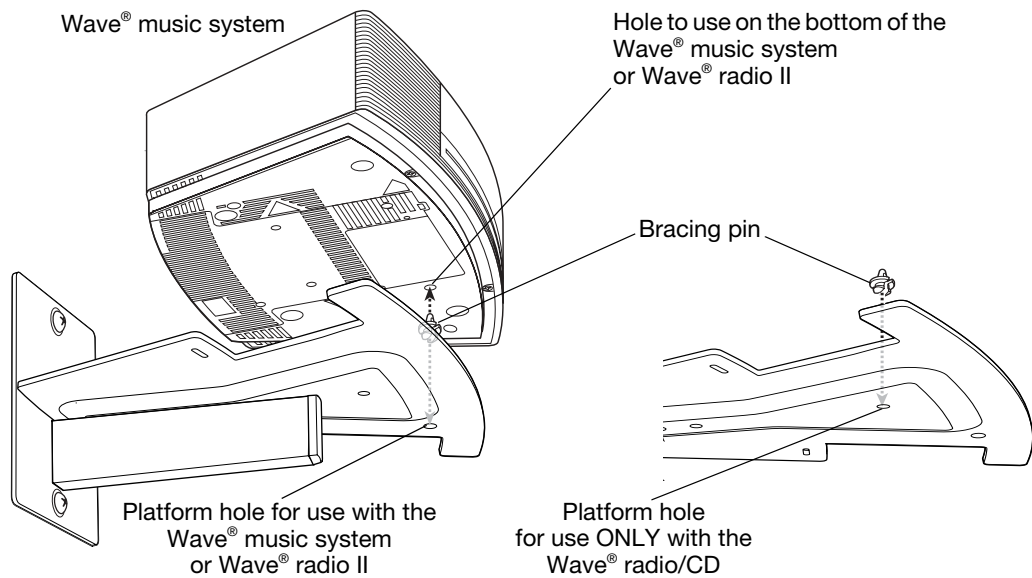
⚠ CAUTION: Be sure to insert the pin only in the bracket platform hole that is appropriate for your system.

For the Wave® music system or Wave® radio II, use the hole shown (Figure 12). For a Wave® radio/CD, use the hole near the center of the bracket platform, instead.

1. When you have located the proper hole on the platform, press the two halves of the pin together and fit them through this hole. The pin snaps into place.
2. Lower your Wave® system onto the platform, making sure it engages the pin and that the back feet of the Wave® system rest securely inside the foot pads on the platform.

Figure 12

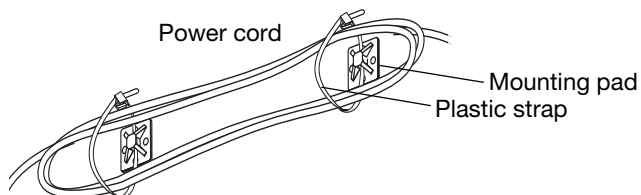
Securing your Wave® music system to the bracket



When the Wave® product you are using is properly secured to the bracket, plug the system power cord into an AC wall outlet. For any remaining length of cord, be sure to use the supplied plastic straps and mounting pads (Figure 13). Loosely bundle the cord and attach it where it will not hang down or be seen.

Figure 13

Bundling and attaching any loose cord



Avoid tightly bundling the cord, which contains the FM antenna.

Contacting Customer Service

To contact Bose® Customer Service for additional information, refer to the address list on the inside back cover of this *Installation Guide*.

Warranty information

For product limited warranty information, please refer to the owner's content at www.bose.com.

BOSE CORPORATION

USA Sales and Customer Service

Bose Corporation
The Mountain
Framingham, MA 01701-9168
1-800-367-4008
1-508-766-5950
owners.bose.com

USA Customer Support

Bose Corporation
MS 2S1
P.O. Box 9102
Stow, MA 01775
1-800-367-4008
1-508-766-1900
owners.bose.com

United Kingdom Customer Support

Freepost EX 151
Exeter EX1 1ZY
TEL 0800 614 293
FAX 0870 240 2013

Canada Customer Support

Bose Ltd.,
1-35 East Beaver Creek Rd.
Richmond Hill, Ontario L4B 1B3
1-800-465-2673
www.bose.ca

Australia

Bose Pty Limited,
Unit 3, 2 Holker Street,
Newington NSW, 2127
TEL +61 (0)2 8737 9999
FAX +61 (0)2 8737 9924

European Office

Bose Products B.V.,
Nijverheidstraat 8
1135 GE Edam, Nederland
TEL 0299-390111
FAX 0299-390114

Deutschland

Postfach 1468
48504 Nordhorn
TEL 05921 3030 123
FAX 05921-724250

Bose AG
Hauptstraße 134
CH-4450 Sissach
TEL 061 975 77 33
FAX 061 975 77 44

Bose Ges.m.b.H
Wienerbergstraße 7
A-1100 Wien
TEL 01 604 043 40
FAX 01 604 043 423

France

Bose S.A.S
12 rue de TémaraP
F-78100
ST. GERMAIN-EN-LAYE
France
TEL 0820 820 995
FAX 01 30 61 63 88

Netherland

Bose B.V., Nijverheidstraat 8
1135 GE Edam, Nederland
TEL 0299-390111
FAX 0299-390114

Poland

Bose Sp. z o.o.
ul. Woloska 12
02-675 Warszawa, Poland
TEL (48-22) 852-2928
FAX (48-22) 852-2927

Bose China

Bose Electronics
(Shanghai Co., Ltd)
2203-2205 22F,
West Gate Tower
1038 West Nanjing Road
MeiLongzhen Plaza
Shanghai 200041,
Peoples Republic of China
TEL 86 21 62713800

Bose Hong Kong

Bose Limited
Suite 2410-11 Shell Tower
Times Square
1 Matheson Street
Causeway Bay, Hong Kong
TEL 852 2110 3330

Bose Taiwan

Worldwide House
Room 905, Floor 9
131 Min Sheng East Road
Section 3
Taipei, Taiwan
TEL 886 2 2514 7676

Bose India

Bose Corporation
India Private Limited
4th Floor,
Shriram Bhartiya Kala Kendra
1 Copernicus Marg
New Delhi 110 001, India
TEL 91 11 2307 3825 / 26 /27
India Toll Free: 1600 11 2673
www.boseindia.com

Atlas Hi-Fi Pte. Ltd.

68 Orchard Road
#03-19/21 Plaza Singapura
Singapore 238839,
Republic of Singapore
TEL 65-6-339-0966

The Asavasopon Co. Ltd.

50-52 Siphya Road
Mahapudtharam, Bangrak
Bangkok 10500,
Thailand
TEL 66-2-234-6467

PT Audio Pratama

JL. Lodan Raya No. 1
Block CO/CN
Jakarta 14430,
Indonesia
TEL 62-21-659-8719

CSI Corporation

Seki Building
23, 2-Ga Namsan-Dong
Joong-Gu
Seoul 100-042,
South Korea
TEL 82-2-344-635-114

Eleksis Marketing Corporation

269 Connecticut Street
Greenhills East
Mandaluyong City
Metro Manila 1550,
Philippines
TEL 63-2-724-9566

G&M International LLC

P.O. Box 1229
Dubai, United Arab Emirates
TEL 971-4-2669-000

Sound Imports

Shop 40
The Mall of Rosebank
Cradock Avenue
Rosebank 2196,
South Africa
TEL 27-11-880-1933

World Wide Web

www.bose.com
owners.bose.com



288591-001

BOSE[®]
Better sound through research[®]

©2005 Bose Corporation, The Mountain,
Framingham, MA 01701-9168 USA
288591 AM Rev.00 CCM-001903
PC40010