



## Our Commitment to You

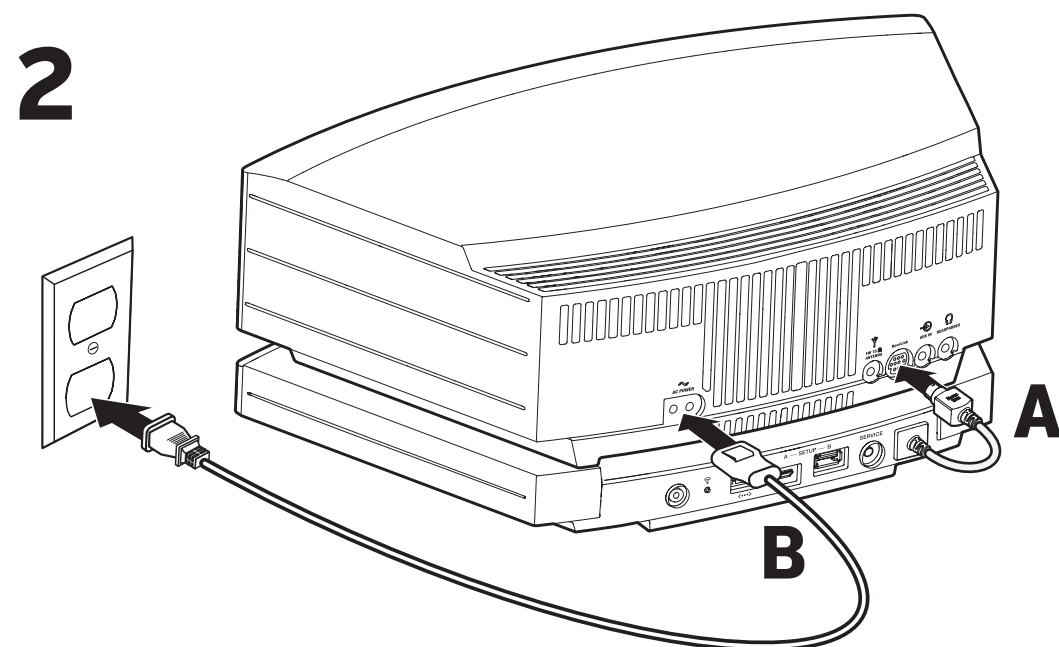
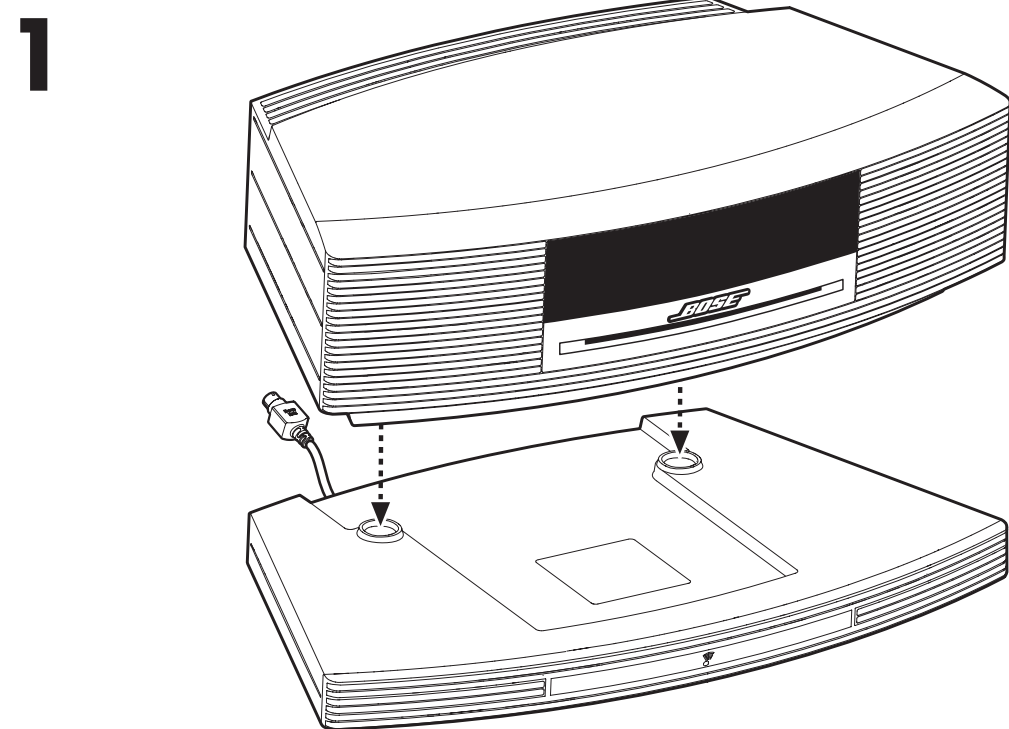
We take great pride in designing each of our products with the goal of providing the highest-accuracy musical performance possible in the price range of that product. We strive to reproduce the musical sounds as closely as possible to those of the original performance. And we strive to avoid flashy sounds such as those associated with accentuated bass and/or treble frequencies. While those sounds may be initially attractive to the novice, they are not real and are not enduring. In addition, we use only the highest-quality parts and the latest assembly and quality control techniques to ensure the reliability and long life of our products.

Our reputation rests on our steadfast pursuit of this policy in music and entertainment systems for the home, the automobile, and businesses. At Bose, we are committed to investing in research that continually gives rise to new technologies for improving sound reproduction.


When you purchase any product from Bose, we encourage you to compare it, as we do, to competitive products for musical accuracy. We believe that this process will enhance your appreciation of the product you select. With best wishes from all of us at Bose for many years of enjoyable listening.

## Wave® SoundTouch™ music system

Please read the Important Safety Instructions enclosed in the carton.  
Lea las instrucciones importantes de seguridad incluidas en la caja.  
Lisez le document Instructions importantes relatives à la sécurité fourni dans l'emballage.  
Bitte lesen Sie die wichtigen Sicherheitshinweise durch, die Sie im Karton finden.



### Already using SoundTouch™?

**If Yes:** Tap  to open the app on your smartphone or tablet. Go to **EXPLORE > SETTINGS > Systems > ADD SYSTEM**.


**If No:** Go to **STEP 3**.

### ¿Ya usa SoundTouch™?

**Si responde que sí:** Toque  para abrir la aplicación en su teléfono inteligente o tableta. Vaya a **EXPLORAR > CONFIGURACIÓN > Sistemas > AGREGAR SISTEMA**.


**Si responde que no:** Vaya a **PASO 3**.

### Vous utilisez déjà SoundTouch™ ?

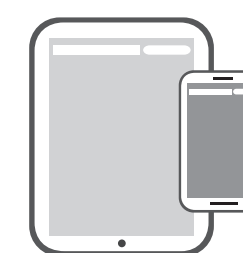
**Oui :** appuyez sur  pour ouvrir l'application sur votre smartphone ou tablette. Accédez à **EXPLORER > PARAMÈTRES > Systèmes > AJOUTER SYSTÈME**.

**Non :** passez à l'ÉTAPE 3.

### Verwenden Sie bereits SoundTouch™?

**Falls ja:** Tippen Sie auf , um die App auf Ihrem Smartphone oder Tablet zu öffnen. Gehen Sie zu **ERKUNDEN > EINSTELLUNGEN > Systeme > SYSTEM HINZUFÜGEN**.

**Falls nein:** Gehen Sie zu **SCHRITT 3**.



### Bose® SoundTouch™ controller app

## 3 Set up on a smartphone or tablet\*

Download the **SoundTouch™ controller** app.

- iOS users: download from the App Store
- Android™ users: download from the Google Play™ store

The app guides you through setup.

\*If using a computer go to [SoundTouch.com/app](http://SoundTouch.com/app) to download the app.

## Configuración en un teléfono inteligente o tableta\*

Descargue la aplicación **SoundTouch™ controller**.

- Usuarios de iOS: descargar desde App Store
- Usuarios de Android™: descargar desde la tienda Google Play™

La aplicación le guía a través de la configuración.

\*Si usa en una computadora vaya a [SoundTouch.com/app](http://SoundTouch.com/app) para descargar la aplicación.

## Configuration sur un smartphone ou une tablette\*

Téléchargez l'application de contrôle **SoundTouch™**.

- Pour iOS : téléchargez l'application sur l'App Store
- Pour Android™ : téléchargez l'application sur Google Play™

L'application vous guidera durant toute la configuration.

\*Si vous utilisez un ordinateur, accédez à la page [SoundTouch.com/app](http://SoundTouch.com/app) pour télécharger l'application.

## Einrichten auf einem Smartphone oder Tablet\*

Laden Sie die **SoundTouch™**-App herunter.

- iOS-Benutzer: Download vom App Store
- Android™-Benutzer: Download vom Google Play™ Store

Die App führt Sie durch die Einrichtung.

\*Wenn Sie einen Computer verwenden, gehen Sie zu [SoundTouch.com/app](http://SoundTouch.com/app), um die App herunterzuladen.

