

**Bose® FreeSpace® Model 32SE
Surface-Mount Environmental Loudspeakers**

Installer's Guide

BOSE®



Safety reminders

- 1.1 Read and keep all safety and operating instructions for future reference.
- 1.2 For your safety, follow all cautions and warnings in the operating instructions and on the speakers.
- 1.3 Follow the instructions in this guide carefully when installing this product.
- 1.4 Do not install the loudspeakers near excessive heat sources. This includes installations near or above radiators, ranges, grills, fryers, stoves, or other appliances.
- 1.5 Always route cables so heavy or sharp objects cannot pinch or cut them.
- 1.6 Check local codes for use of safety cables. The loudspeaker has threaded inserts and 1/4-20 screws (1/4-inch diameter with 20 threads per inch, U.S. terminology) are provided for attaching the safety cables.
- 1.7 Service by a qualified service person if:
 - A. The loudspeaker cone is visibly damaged;
 - B. The loudspeakers do not operate normally even though the instructions in this guide have been followed;
 - C. The loudspeakers exhibit a distinct change in performance.



DECLARATION OF CONFORMITY

We, the offerer:

Bose® Corporation, The Mountain, Framingham, MA 01701-9168 USA
acknowledge our sole responsibility, that the product:

Kind of equipment: Loudspeaker

Type designation: Model 32SE loudspeaker

In accordance with EMC Directive 89/336/EEC and Article 10(1) of the Directive,
is in compliance with the following norm(s) or document(s):

Technical regulations: EN50081-1, EN50082-1

Accredited by:

Bose Corporation, The Mountain, Framingham, MA 01701-9168 USA

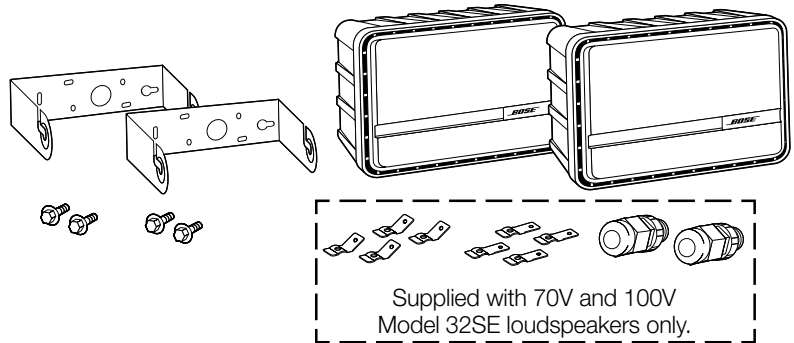
15 April 2000

Bose Products B.V.
Nijverheidstraat 8, 1135 GE Edam
The Netherlands

A handwritten signature in black ink, appearing to read 'Nic Merks', is written over a horizontal line.

Nic Merks
Vice President Europe
Manufacturer's authorized EU representative

1.0 Package contents

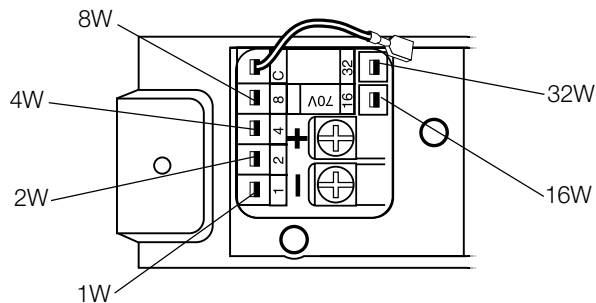


2.0 Steps for loudspeaker installation

For 70V and 100V versions of the Model 32SE loudspeakers, remove the rear cover.

2.1 Changing the tap on 70V and 100V versions

Both the 70V and 100V versions are set at the factory to the maximum of 32W. For lower output volume, change that setting to 16W, 8W, 4W, 2W or 1W. To do that, remove the spade connector from the 32W spade and reinsert it into the preferred spade.

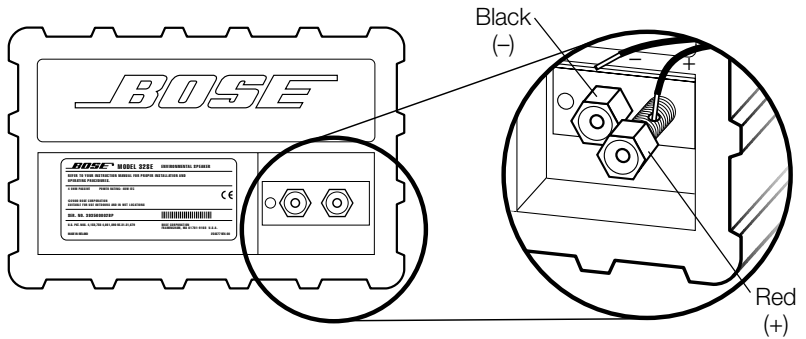


2.2 Connecting the wires

This process varies according to the version of loudspeaker you are using.

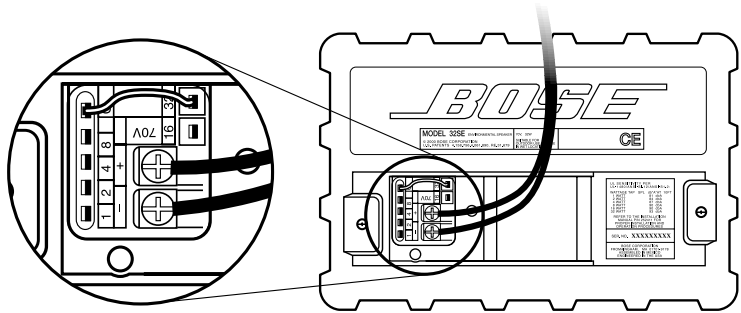
2.2.1 To the 4 ohm version

⚠ Caution: Install the 4 ohm Model 32SE loudspeaker in compliance with local building and electrical codes. In the U.S., this version is designed for installation using Class 2 wiring methods in accordance with Articles 640 and 725 of NFPA 70, National Electrical Code. Guidelines for Class 2 wiring methods are usually appropriate for nonhazardous live circuits and wiring methods in many other countries.

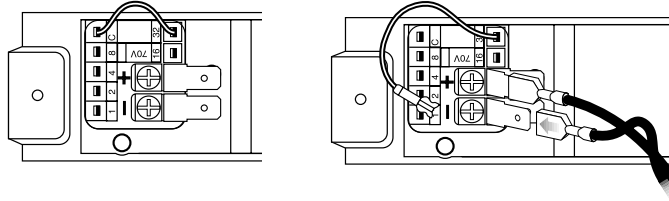


2.2.2 To the 70V or 100V versions

⚠ Caution: Install the loudspeakers in compliance with local building and electrical codes. In the U.S., this version is designed for installation using Class 1, 2, or 3 wiring methods in accordance with Articles 640 and 725 of NFPA 70, National Electrical Code. Guidelines for Class 2 wiring methods are usually appropriate for nonhazardous live circuits and wiring methods in many other countries. The guidelines for Class 1 and 3 wiring methods are appropriate for hazardous live circuits in those same countries.



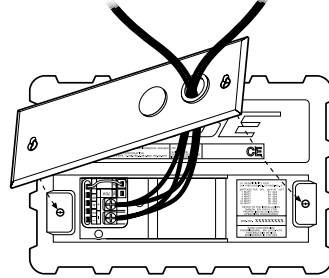
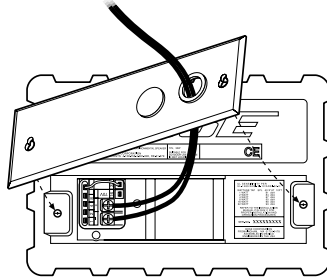
Optional use of quick-connect terminals on 70V and 100V versions



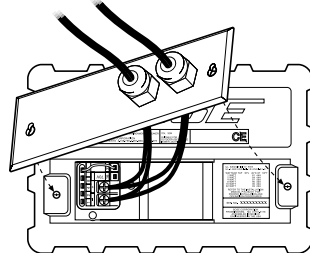
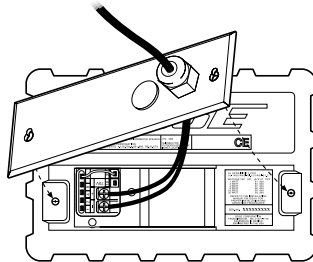
Reattach the cover to protect wire termination. Dress the wires carefully to prevent the cover from pinching them.

Alternative wire treatment

- Simple wiring
- Daisy chaining



- Sealed rear housing*
- Daisy-chaining and sealed rear housing**



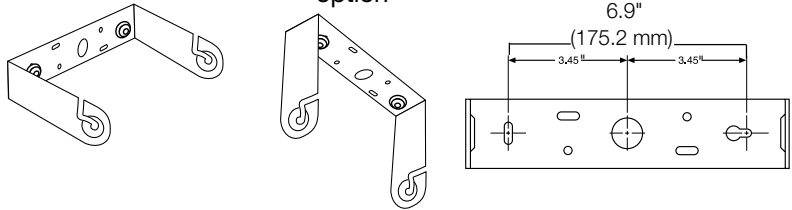
*Use supplied liquid-tight fitting

**Dealer must supply additional fitting. Or, if local codes allow it, route both wires through one fitting.

2.3 Mounting the bracket

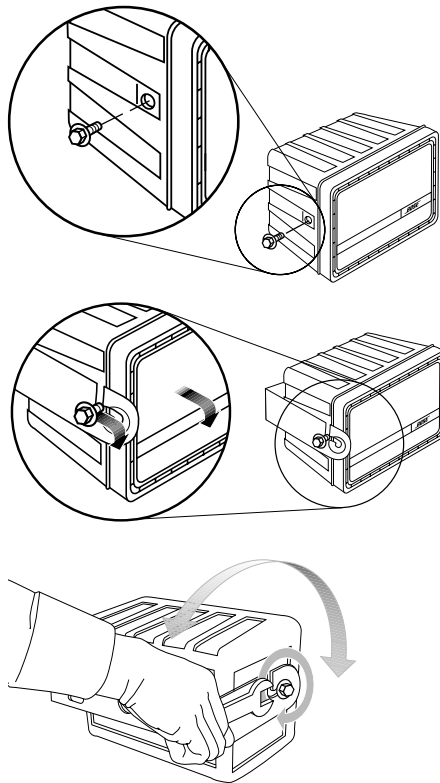
Choose a position and mounting method consistent with local building codes and regulations. Use two screws per bracket.

- Wall-mount option
- Ceiling-mount option
- Mounting footprint option



2.4 Attaching and adjusting the speaker

Partially insert the screws into the speaker.



After adjusting the speaker angle, use a wrench to tighten the mounting screws firmly, securing the bracket.

3.0 Loudspeaker specifications

Frequency Range

90Hz to 16kHz (± 3 dB)

Model 32SE Versions*Active Equalization*

- 70V (1W, 2W, 4W, 8W, 16W, 32W taps)
- 100V (1W, 2W, 4W, 8W, 16W, 32W taps)

Passive Equalization

- 4 Ω , 32W, no transformer

Sensitivity*Active Equalization*

86dB-SPL @ 1W, 1m (pink noise)

Passive Equalization

86dB-SPL @ 1W, 1m (pink noise)

Maximum Acoustic Output

101dB-SPL @ 1m (pink noise)

101dB-SPL @ 1m (IEC noise)

Dispersion (-6dB point, average, 1-4kHz)

132° conical

Long-Term Power Handling

32W continuous

Mechanical Specifications

Dimensions: 6"H x 9"W x 5.6"D (15.2 cmH x 22.9 cmW x 14.1 cmD)

Weight: 5 lb (2.3 kg)

Connectors: 70V/100V, screw terminals; 4 Ω hex-nut post terminals

Mounting Hardware Included: Quick install U-bracket and hardware

Additional Mounting Points: Two (2) $\frac{1}{4}$ -20 inserts, 0.7" on bottom

Limited Warranty Bose® Product

What is covered:

All parts defective in material and workmanship.

For how long:

Five years from the purchase date.

What we will do:

We will, at our sole option, repair or replace any defective parts free of charge.

What we will not do:

Pay shipping or transportation charges from you to us.

What you must do:

1. Return product personally with proof of purchase from an authorized Bose dealer to your authorized Bose dealer, or
2. Return product personally with proof of purchase from an authorized Bose dealer to the nearest Bose Service Agency, or
3. Return product personally with proof of purchase from an authorized Bose dealer directly to the Bose organization in your country. If you elect to return the product directly to a Bose organization,
 - a) Contact the Bose organization in your country for specific return and shipping instructions;
 - b) Properly pack the product in the original carton for shipping. If you need a new carton, contact the Bose organization in your country for a new carton available at a nominal charge;
 - c) Label and ship, freight prepaid, to the address provided by the Bose organization in your country, and
 - d) Place any necessary return authorization number prominently on the outside of the carton. (Cartons not bearing a return authorization number, where required, will be refused.)

Other conditions:

This warranty is fully transferable provided that the current owner furnishes the original proof-of-purchase from an authorized Bose dealer. The provisions of this warranty are in lieu of any other written warranty, whether express or implied, written or oral, including any warranty of merchantability or fitness for a particular purpose. Bose's maximum liability shall not exceed the actual purchase price paid by you for the product. In no event shall Bose be liable for special, incidental, consequential or indirect damages. This warranty does not cover a defect that has resulted from improper or unreasonable use or maintenance, accident, improper packing, or unauthorized tampering, alteration or modification as determined solely by us. This warranty is void if the label bearing the serial number has been removed or defaced.

Other law rights:

This warranty gives you specific legal rights, and you may also have other rights which vary from country to country or state to state. Some places do not allow limitations on implied warranties or the exclusion or limitation of incidental or consequential damages, so the above limitations or exclusions may not apply to you.

Please keep this warranty information for your personal records.

Bose Corporation thanks you for your recent Bose product purchase. For your benefit, we recommend that you record your serial number(s), found on the product(s), and other purchase information below and keep it with your personal records along with proof-of-purchase. If necessary, this information will allow us to



©2000 Bose Corporation
The Mountain
Framingham, MA
01701-9168 USA
English