

Bose® FreeSpace® Model 16/16 EU Loudspeaker

Installation Guide*

Installationsvejledning*

Installationsanleitung*

Guía de instalación*

Guide d'installation*

Guida all'installazione*

Installatiehandleiding*

Installationsanvisning*

BOSE®



** For use by trained installers only*

** Kun til brug for erfarne installatører*

** Montage ausschließlich durch ausgebildetes Installationspersonal*

** Para uso exclusivo de instaladores capacitados*

** Réservé aux installateurs ayant suivi une formation*

** Solo per l'uso da parte di installatori professionisti*

** Uitsluitend voor gebruik door ervaren installateurs*

** Ska endast användas av utbildade installatörer*



DECLARATION OF CONFORMITY

We, the offerer:

Bose Corporation, The Mountain, Framingham, MA 01701-9168 USA

acknowledge our sole responsibility, that the product:

Kind of equipment: Loudspeaker

Type designation: Model 16/16EU loudspeaker

in accordance with EMC Directive 89/336/EEC and Article 10(1) of the Directive,
is in compliance with the following norm(s) or document(s):

Technical regulations: EN 50081-1, EN 50082-1

Accredited by:

Bose Corporation, The Mountain, Framingham, MA 01701-9168 USA

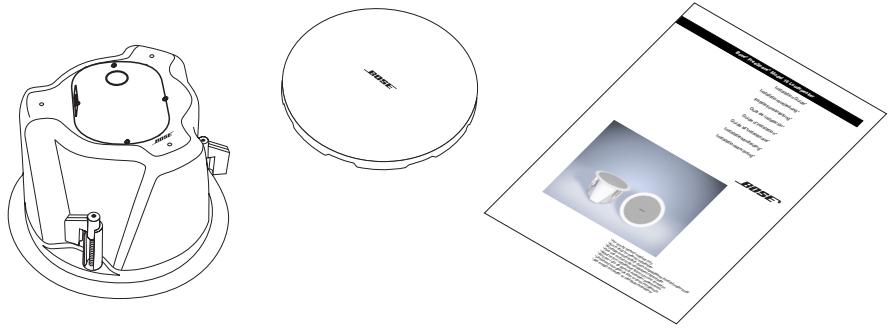
March 20, 2002

Bose Products B.V.
Nijverheidstraat 8, 1135 GE Edam
The Netherlands

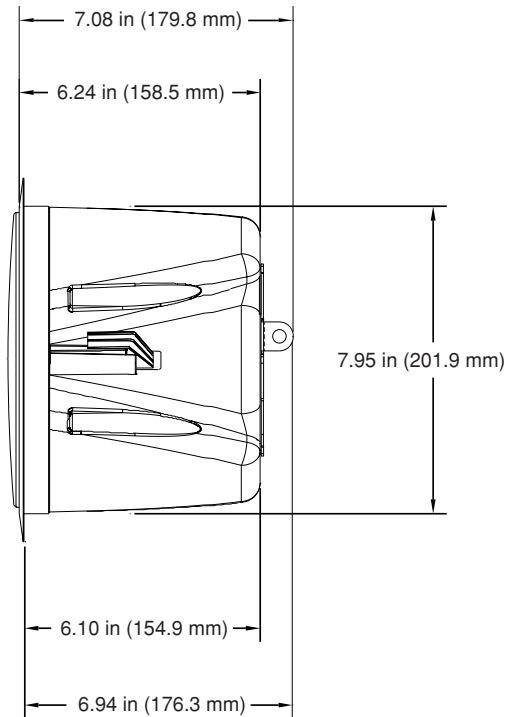
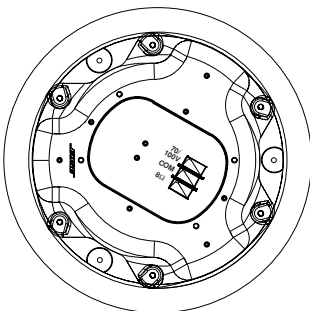
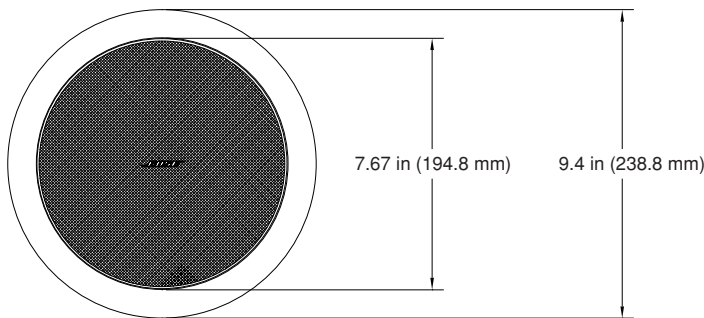
Nic Merks
Vice President, Europe
Manufacturer's authorized EU representative

The Bose® FreeSpace® Model 16/16EU loudspeaker has been certified as a fire protective signaling loudspeaker for fire protective signaling use in accordance with UL1480. The Model 16/16EU loudspeaker also complies with the requirements of NFPA 70, National Electric Code 2002, Article 300-22(c), and UL2043 for use in air handling spaces, and NFPA 90A-1996 Installation of Air Conditioning and Ventilation Systems, Section 2-3.10.1(a), Exception 3 when used with the Model PC-16 cover accessory.

Package Contents
Kassen indeholder
Packungsinhalt
El paquete contiene
Contenu de l'emballage
Contenuto della confezione
Inhoud van de verpakking
Paketets innehåll



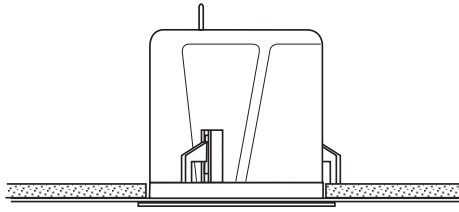
Dimensions
Mål
Abmessungen
Dimensiones
Dimensions
Dimensioni
Afmetingen
Dimensioner



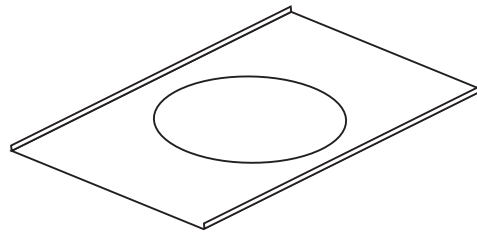
- English
- Dansk
- Deutsch
- Español
- Français
- Italiano
- Nederlands
- Svenska

Choices
Valgmuligheder
Optionen
Opciones
Au choix
Opzioni
Keuzes
Alternativ

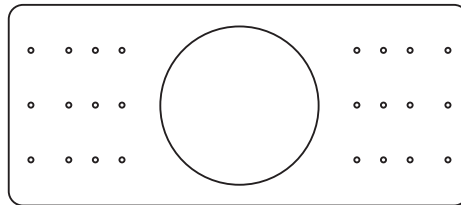
Required Bose® Tile Bridge
or Optional Bose Rough-in Pan



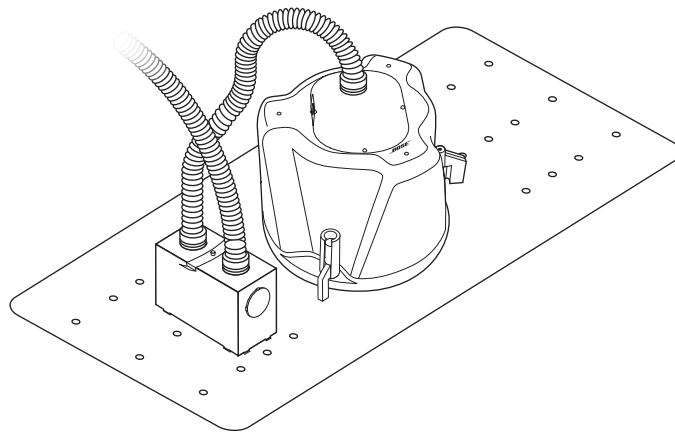
Tile Bridge



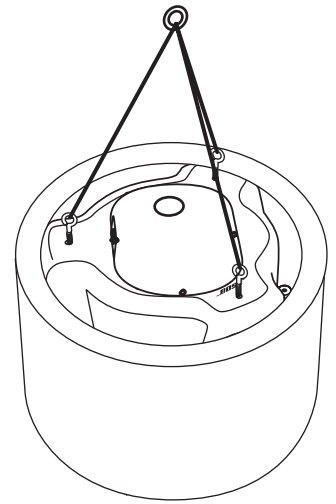
Rough-in Pan



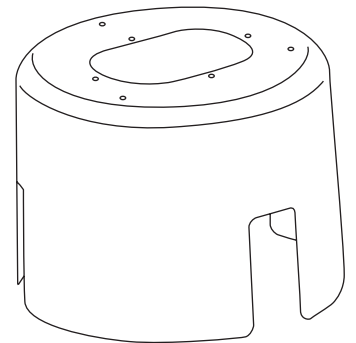
Optional Junction Box



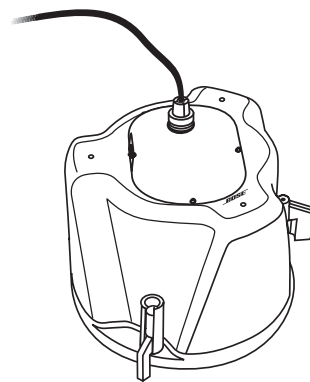
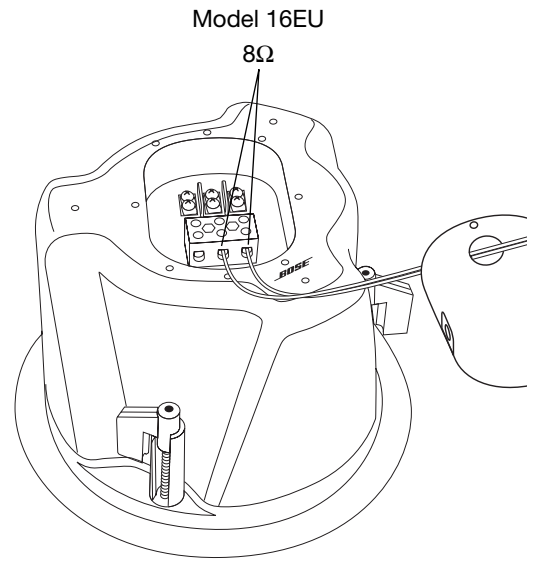
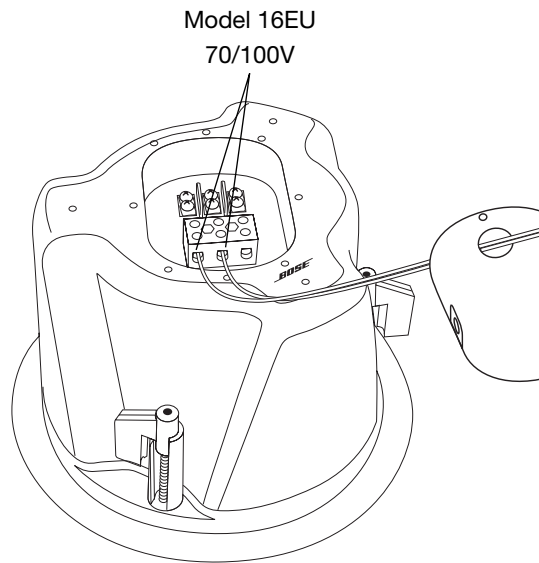
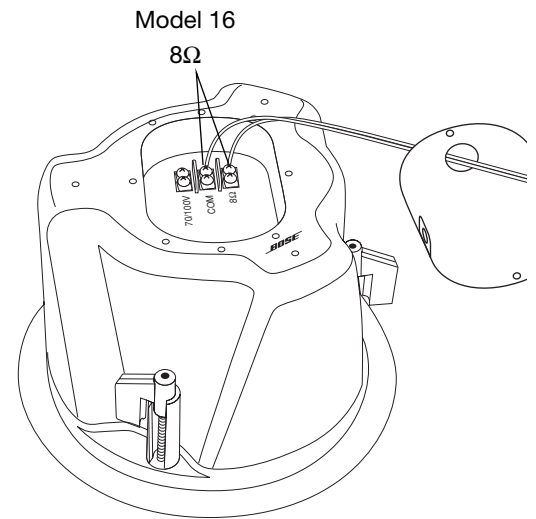
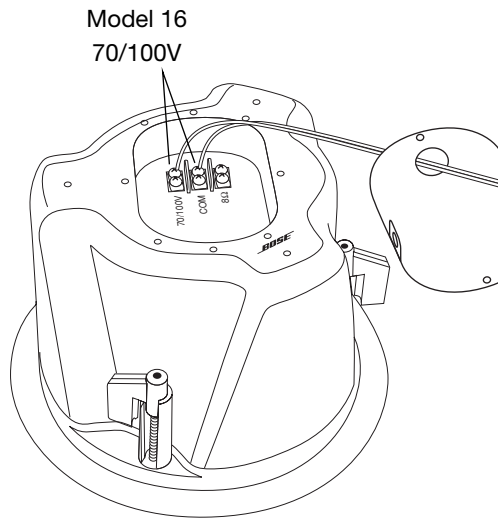
Optional Bose Pendant Mount Kit



PC - 16 Plenum Cover



Connections
Tilslutninger
Anschlüsse
Conexiones
Raccordements
Collegamenti
elettrici
Verbindingen
Anslutningar



English

Dansk

Deutsch

Español

Français

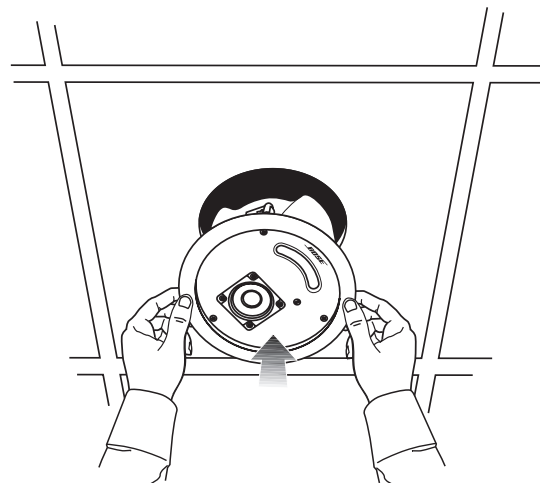
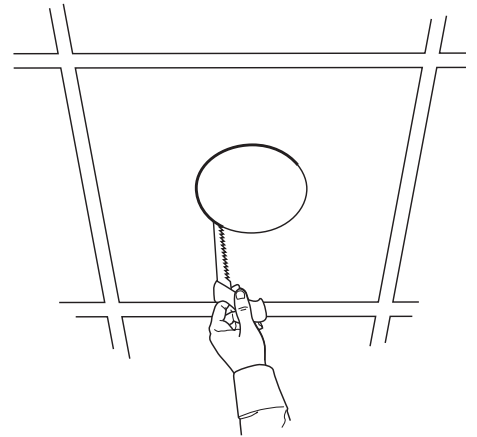
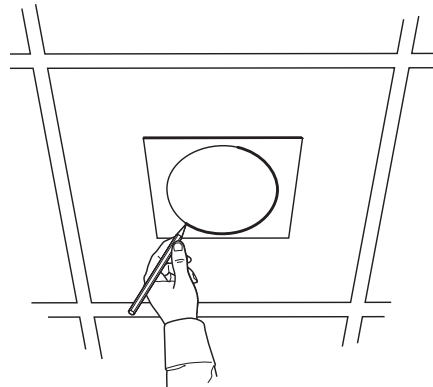
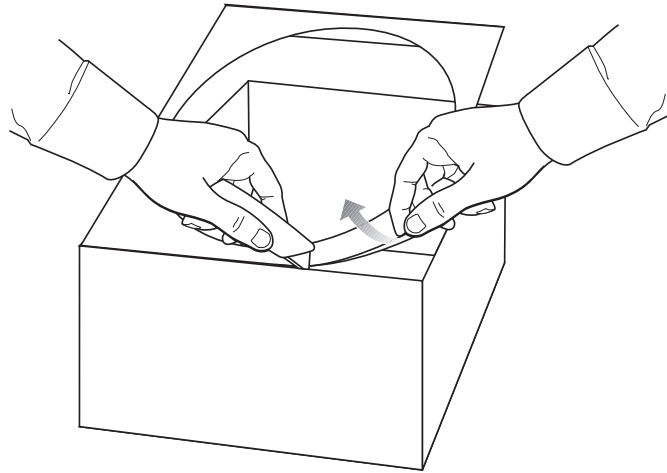
Italiano

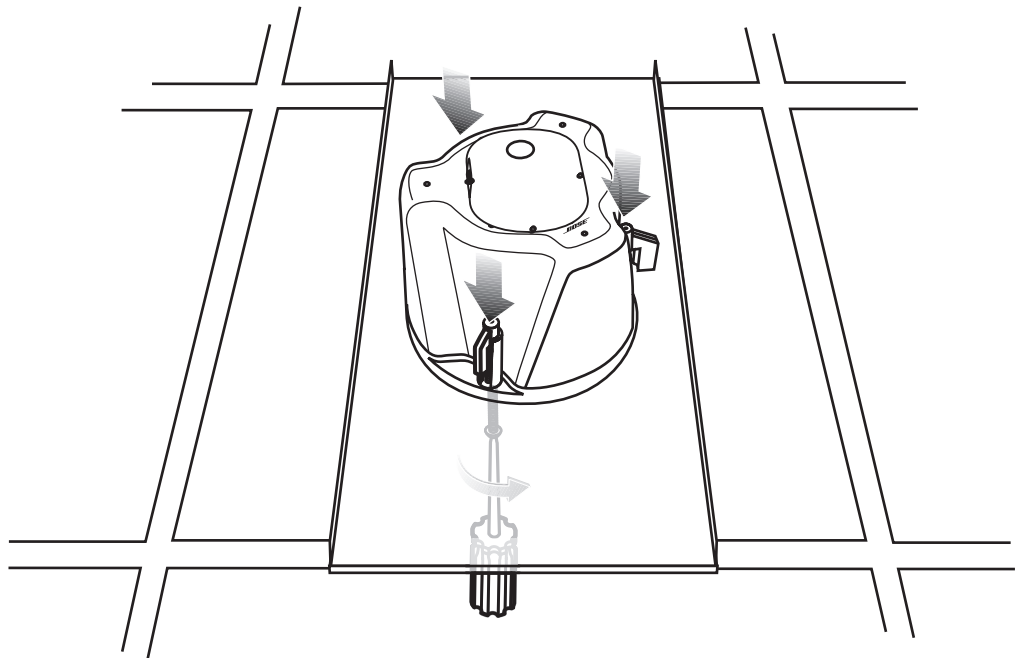
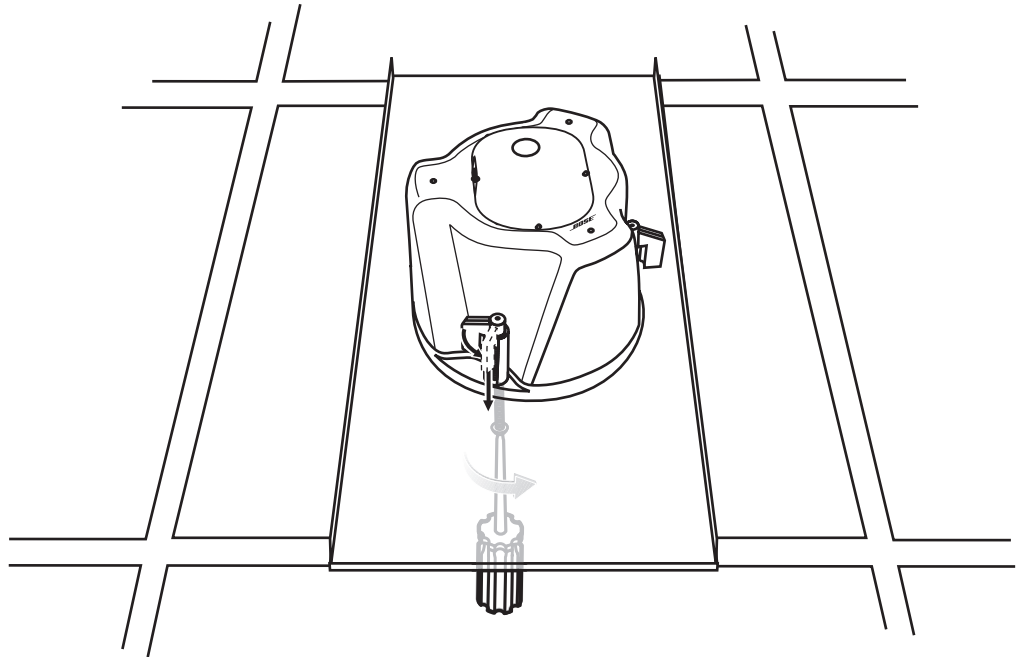
Nederlands

Svenska

Installation

Mounting the module
Montering til modulet
Aufbau des Moduls
Montaje del módulo
Fixation du module
Installazione
Monteren van de module
Montering för modulen





Bose Tile Bridge Required

Transformer tap setting or bypass

Transformer tapsætning eller lavohms

Einstellen der Transformator-abgriffe bzw. deren Umgehung

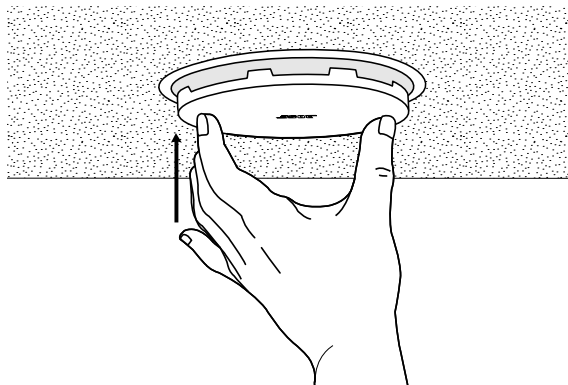
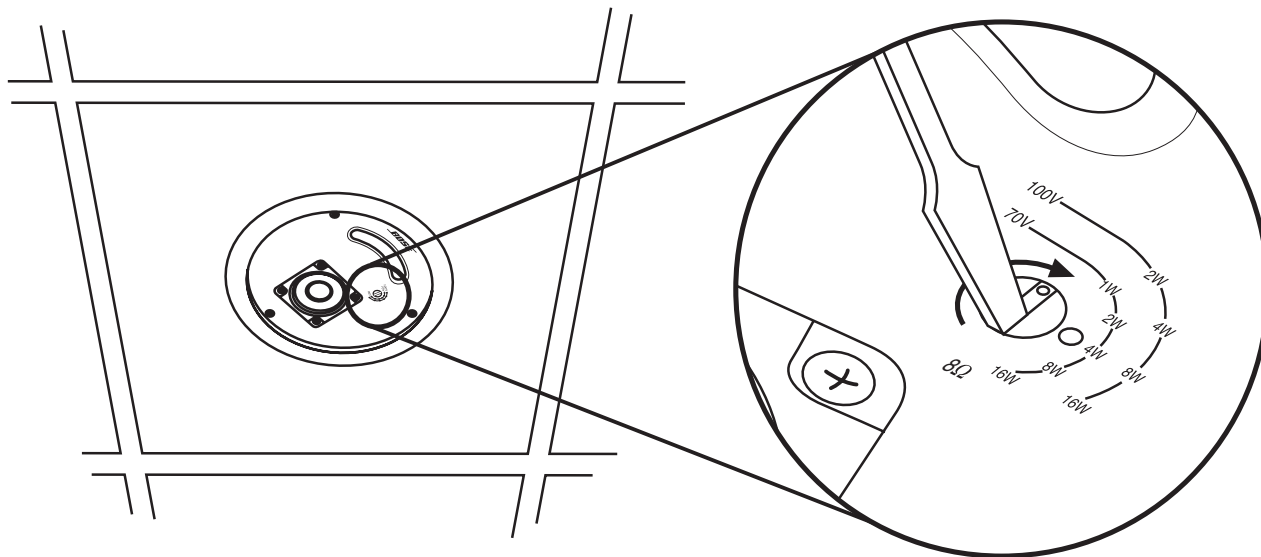
Ajuste del cambiador de la relación de transformación o bypass

Position des réglages ou shunt du transformateur

Trasformatore: impostazione delle potenze intermedie; esclusione.

Aftakings-instelling van de transformator of bypass

Tappinställning eller avledning för transformator



Safety and regulatory compliance

The Model 16 and 16EU have passed extensive testing and comply with the following specifications and uses:

UL1480 listed:

- Fire Protective Signaling Use - UL Category UUMW, File Number S 3241 Control Number 42S9
- Suitable for use indoors in damp locations.
- Suitable for installation using Class 1, Class 2, or Class 3 wiring methods in accordance with NFPA 70, *National Electric Code*, 2002, Article 640.
- Suitable for use with fire alarm circuit wiring methods in accordance with NFPA 70, *National Electric Code*, 2002, Article 760.

Suitable for use in air handling plenum spaces with a model PC-16 Plenum Cover installed:

- UL-2043, *Fire Test and Visible Smoke Release for Discrete Products and their Accessories Installed in Air Handling Spaces*
- NFPA-70, *National Electrical Code*, 2002, Article 300.22(C)
- NFPA 90A, 2002, *Installation of Air Conditioning and Ventilation Systems*, Paragraph 4.3.10.2.6.5

EMC Directive 89/336/EEC and Article 10 (1) of the directive, EN50081-1 and EN50082-1 as signified by the CE mark.

The Model 16EU has also been designed to the requirements defined in the following European regulatory specifications for combination systems:

- British Standard Code of Practice BS 5839, Part 8
- Netherlands Standard NEN 2575

UL Sensitivity per UL-1480/ ANSI-S12.31:

Wattage Tap	Sound pressure level* dBA at 3.1m (10 ft) (70V)	Sound pressure level* dBA at 3.1m (10 ft) (100V)
1 Watt	74 dBA	-
2 Watt	77 dBA	77 dBA
4 Watt	80 dBA	80 dBA
8 Watt	83 dBA	83 dBA
16 Watt	85 dBA	85 dBA

*SPLs given are per the UL1480 specified reporting method

Frequency Response:

Fire alarm: 400 Hz to 4 kHz

General Signaling: 80 Hz to 16 kHz (+/- 3 dB)



BOSE[®]
Better sound through research[®]

©2002 Bose Corporation, The Mountain
Framingham, MA 01701-9168 USA
263556 AM Rev.02 JN30576