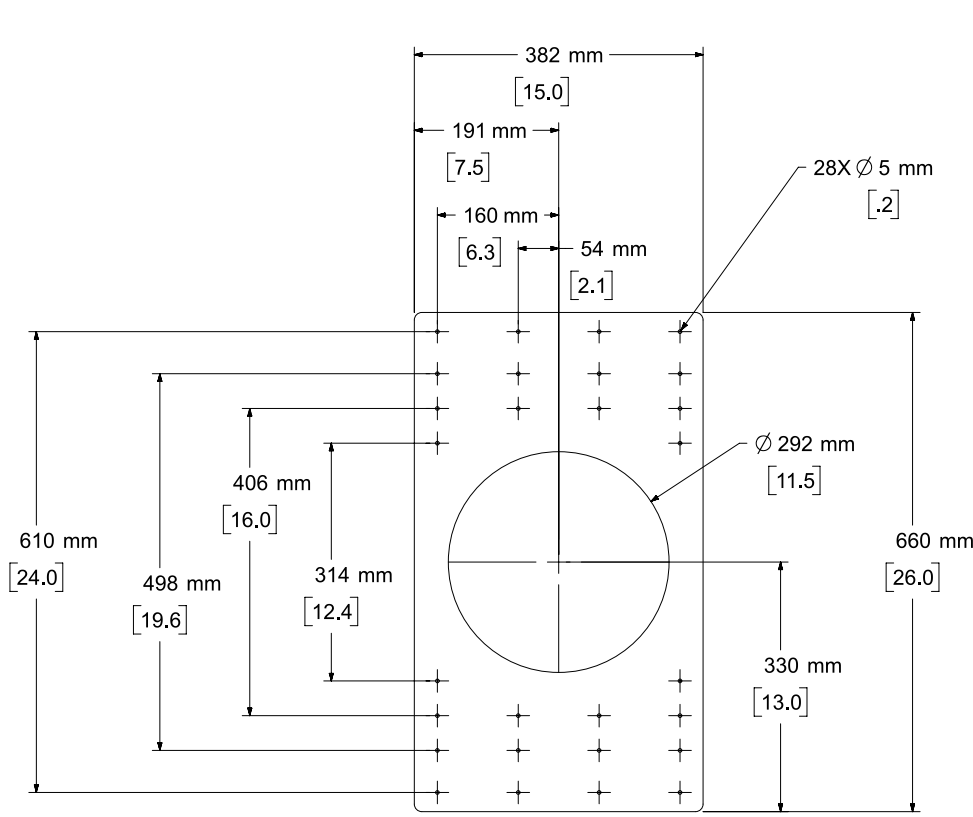
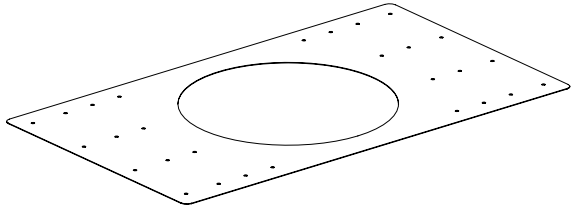


8 7 6 5 4 3 2 1



Top View



- NOTES:  
 1. DIMENSIONS ARE IN MILLIMETERS OVER INCHES  
 2. WEIGHT APPROX 1.11kg [2.45lbs]

	NOTICE © 2018 BOSE CORPORATION. THIS DRAWING MAY NOT BE COPIED, REPRODUCED, OR USED AS THE BASIS FOR MANUFACTURE OR SALE OF APPARATUS WITHOUT THE PRIOR WRITTEN AUTHORIZATION OF BOSE CORPORATION.			
	UNLESS OTHERWISE SPECIFIED INTERPRET THIS DRAWING PER ASME Y14.5M-1997	DO NOT SCALE DRAWING	DESCRIPTION PAN, ROUGH-IN, DESIGNMAX DM6	CAGE CODE 32108
		VERSION A.1		

8 7 6 5 4 3 2 1