

# Bose® ControlSpace® ESP-00 GPIO card II

## Installation Guide

### CAUTIONS:

- This product is intended for installation by professional installers only.
- Make no modification to the system or accessories. Unauthorized alterations may compromise safety, regulatory compliance, and system performance.
- Electro-Static Discharge (ESD) sensitive device. Handle with care.

**NOTE: The ESP-00 GPIO card II is compatible with ESP-00 Series II, ESP-00, and ESP-88 engineered sound processors.**

This document is intended to provide professional installers with basic installation and safety guidelines for installing the optional ESP-00 GPIO card II into a Bose® ESP-00 II engineered sound processor. Please read this guide before attempting installation.

The ESP-00 GPIO card II augments the standard GPIO card by adding eight additional control inputs and eight additional control outputs on a second card.

### To install the ESP-00 GPIO card II:

1. Turn off and unplug the processor.
2. Detach the top cover by removing the 8 cover screws.
3. On the blank bracket farthest to the right (GPIO 2 slot), remove and save the two screws (Figure 1).

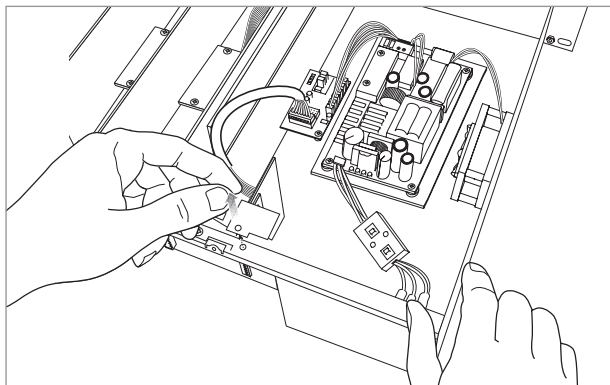


Figure 1. Removing bracket screws

4. Attach one end of the ribbon cable to the GPIO II connector.
5. Position the ESP-00 GPIO card II in the chassis and secure it with the two screws removed earlier from the blank panel (Figure 2).

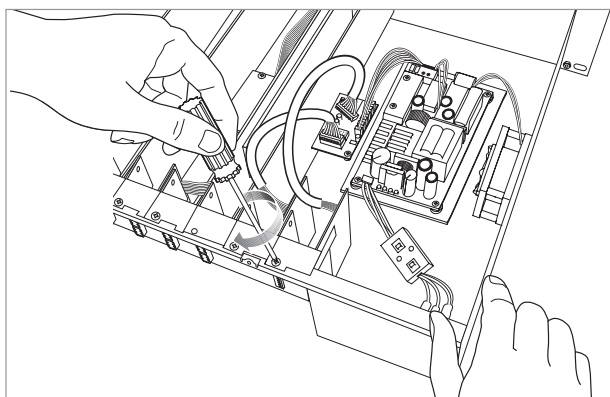


Figure 2. Securing the new ESP-00 GPIO card II

6. Attach the free end of the GPIO ribbon cable to the available connector located beside the first GPIO card connector on the motherboard (Figure 3).

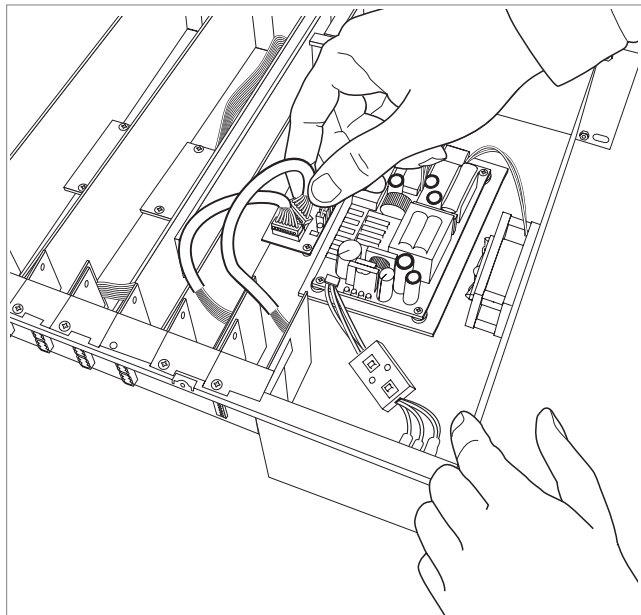


Figure 3. Attaching the ribbon cable

7. Reattach the top cover and fasten the 8 screws.
8. Plug in the processor and turn it on.
9. To verify that the card was inserted correctly, use ControlSpace® Designer™ software (version 4.1 or newer):
  - A. Click **Scan** and confirm that the software detects the processor.
  - B. Right-click the detected processor and display its properties. If the card was installed correctly, it will appear in the correct slot position (Figure 4).

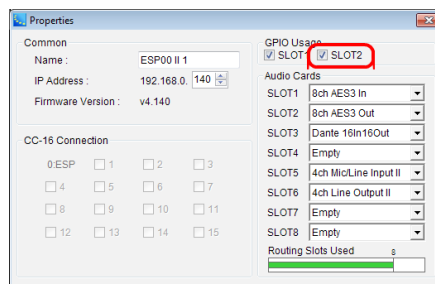


Figure 4. ESP-00 II Properties panel

10. If the card does not appear, repeat steps 1-9. Be sure that the card is seated correctly
11. For further information on using the ESP-00 GPIO card II, please refer to the ControlSpace Designer Software Help.

©2014 Bose Corporation. All rights reserved. All trademarks are the property of their respective owners.

**BOSE**  
Better sound through research®



726361-0010

© 2014 Bose Corporation. The Mountain,  
Framingham, MA 01701-9168 USA  
AM 726361 Rev. 00  
[www.pro.Bose.com](http://www.pro.Bose.com)