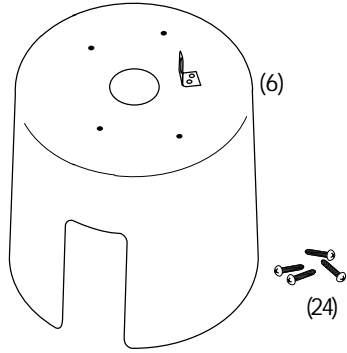
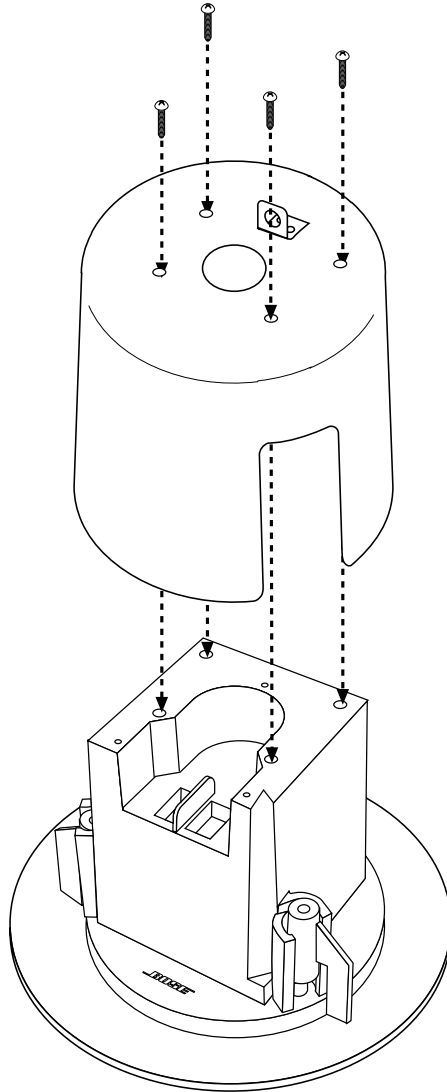


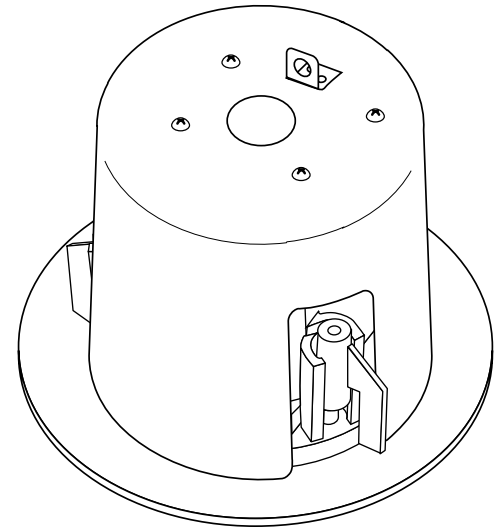
Contents
Indhold
Inhalt
Contenido
Contenu
Contenuto
Inhoud
Innehåll



2



3



BOSE
Better sound through research®

©2002 Bose Corporation, The Mountain
Framingham, MA 01701-9168 USA
263822 AM Rev.00 JN30603