

Application Note For FreeSpace® 3 Flush Satellite Loudspeakers

Pendant Mount Options and Techniques

For open ceilings and other applications, the FS3F satellite may be pendant mounted. The following applications note describes the recommended methods for pendant mounting the FS3F satellite.

Cosmetic covers for the FS3F are available in both black and white to provide a finished exterior of the speaker in the pendant mount application (030097, 003098).

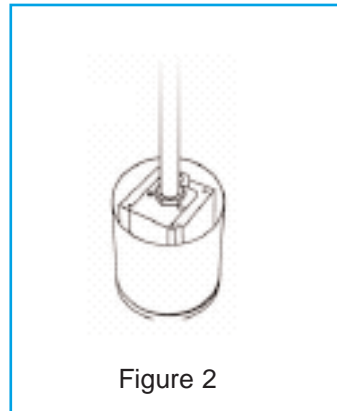
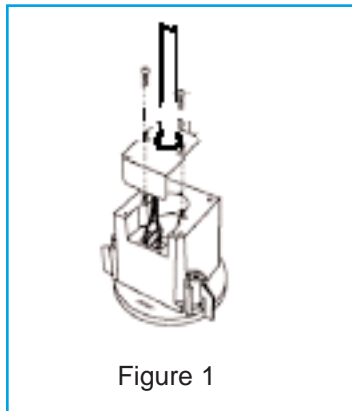
Recommended Pendant Installations

Solid Conduit Mounting

The FS3F may be suspended by solid conduit which is then attached to trusses or other mechanical features in the open ceiling (Figure 1). The junction cover on the rear of the FS3F accepts 3/4 inch (internal diameter) size solid (non-flexible) wiring conduit. One inch minimum thread length is necessary at the speaker end. After threading the speaker wires through the conduit, place a locknut on the threaded end of the conduit then insert through the junction cover. Attach the cover to the conduit with a second nut tightened securely on the bottom.

Note: Do not allow the conduit and nut to protrude more than 1/2 inch below the cover to give clearance for the wire terminations.

After connecting the wires to the satellite, assemble the junction cover onto the FS3F rear with the included screws. The optional cosmetic cover may be used with this installation (Figure 2), and should be installed prior to wiring or suspending speaker.



Application Note For FreeSpace[®] 3 Flush Satellite Loudspeakers

Recommended Pendant Installations (continued)

Cable Mounting

The FS3F satellite may be pendant mounted by a two-point connection (Figure 3). Select a self-tapping eye-screw, suggested size #210. Drill the correct size tap hole for the eye-screw in the rear cover as shown (on centerline of speaker, near edge), and install eye-screw. Attach pendant leads to the eye-screw and cover tab directly, or with S-hooks as shown. The optional cosmetic cover may be used with this installation.

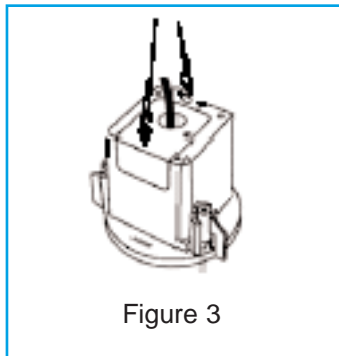


Figure 3

Additional Information

A pendant mount kit is available for the FS3B-II flush bass module. This kit contains a preconfigured pendant cable, eye bolts, and a cosmetic cover for suspending the bass module in open ceilings.

Contact Information

Please refer any questions relating to the FreeSpace[®] 3 loudspeakers to your regional Bose[®] representative.