

FreeSpace 360P Series II

environmental landscape loudspeaker

Product Overview

The Bose FreeSpace 360P Series II is a full-range environmental loudspeaker designed to blend with landscaping for in-ground or above-ground applications, such as shopping malls, outdoor restaurants, resorts and theme parks.

Using an innovative design, the Bose FreeSpace 360P Series II loudspeaker provides 360 coverage, so fewer loudspeakers are needed. Sound is dispersed evenly, both horizontally and vertically, allowing listeners to hear consistent sound either sitting or standing. It also provides extended low-frequency range down to 60 Hz.

A heavy-duty enclosure and an advanced composite driver make the FreeSpace 360P Series II loudspeaker exceptionally rugged and reliable. It is built to withstand sand, snow, rain, and salt.



Key Features

Full-range environmental loudspeaker with one downward-firing 4.5" (114 mm) advanced-composite environmental full-range driver for in-ground or above-ground mounting

Domed port grille reflects sound into the listening area for clear, consistent performance

Cabinet shape acts as acoustic diffuser directing mid- and high-frequency energy out towards listeners. Base of loudspeaker acts as a tuned, multi-chambered ported enclosure

Multi-tap line transformer provides easy-to-change tap settings

Tamper-resistant design

Internal speaker protection circuit safeguards drivers

Technical Specifications

SINGLE-LOUDSPEAKER PERFORMANCE	
Frequency Response (-3 dB) ¹	70 - 10,000 Hz
Frequency Range (-10 dB)	60 - 15,000 Hz
Nominal Coverage Pattern (H x V)	360° x 50°
Power Handling, Long-term Continuous ²	70/100V: 80W 8Ω: 65W
Power Handling, Peak ³	70/100V: 320W 8Ω: 260W
Sensitivity SPL/1 W @ 1 m ⁴	88 dB
Calculated Maximum SPL @ 1 m ⁵	107 dB
Calculated Peak SPL @ 1 m	113 dB
Loudspeaker EQ	No Bose EQ required. For best performance, Bose EQ presets available
Recommended High-Pass Filter	60 Hz with minimum 24-dB/octave filter, Presets available
Overload Protection	PTC
Transformer taps	70V: 10, 20, 40, 80 W, bypass 100V: 10, 20, 40, 80 W, bypass

For additional specifications and application information, please visit PRO.BOSE.COM. Specifications subject to change without notice. 01/11/2022

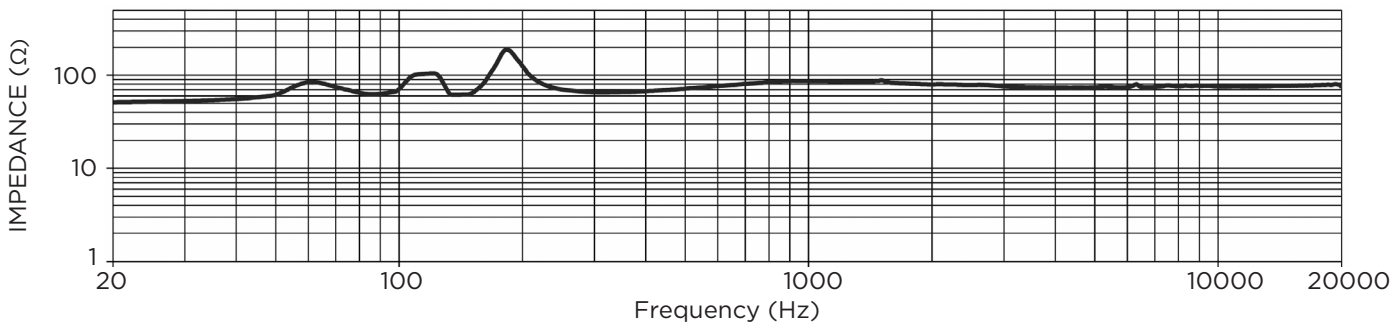
TECHNICAL DATA

FreeSpace 360P Series II

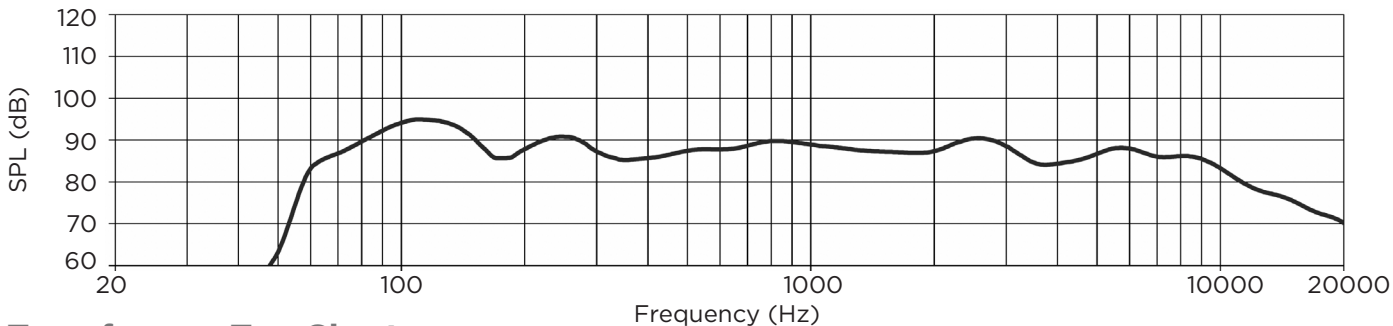
environmental landscape loudspeaker

TRANSDUCERS	
Full-range Driver	1 x 4.5" (114 mm) Bose environmental driver
Nominal Impedance	8Ω (transformer bypassed)
8Ω Bypass Wiring Configuration	White wire for positive (+) and black wire for COM (-)
PHYSICAL	
Enclosure Material	Glass-reinforced polypropylene, textured
Environmental/Ingress Protection	IP35-rated, outdoor per IEC 529
Connectors	External multi-wire cable with wire nuts included
Suspension/Mounting	3 × #10 (M4) holes in base 3 × #10 (M4) screws required
Dimensions (Diameter × Height)	368 mm × 379 mm (14.5 in × 14.9 in)
Net Weight	6.6 kg (14.5 lb)
Shipping Weight	6.8 kg (14.9 lb)
PRODUCT CODES	
Green	040151

Impedance⁵



On-Axis Response



Transformer Tap Chart

Listener Distance	m	3	4.5	6	dB SPL
	ft	10	15	20	
Tap Setting	10W	88	85	82	
	20W	91	88	85	
	40W	94	91	88	
	80W	97	94	91	

(1) Frequency response measured 30° above the ground plane (per recommended installation) in an anechoic environment using recommended high-pass filter.

(2) Power handling tested using pink noise filtered to meet IEC 268-5, 6 dB crest factor, 100 hours, with recommended high-pass filter.

(3) Sensitivity tested using pink noise filtered to meet IEC 268-5, measured at 1 meter, 30° above the ground plane.

(4) Maximum SPL calculated from sensitivity and power handling specifications, exclusive of power compression and transformer loss (less than 1dB).

(5) Measured at 70V with 80W tap

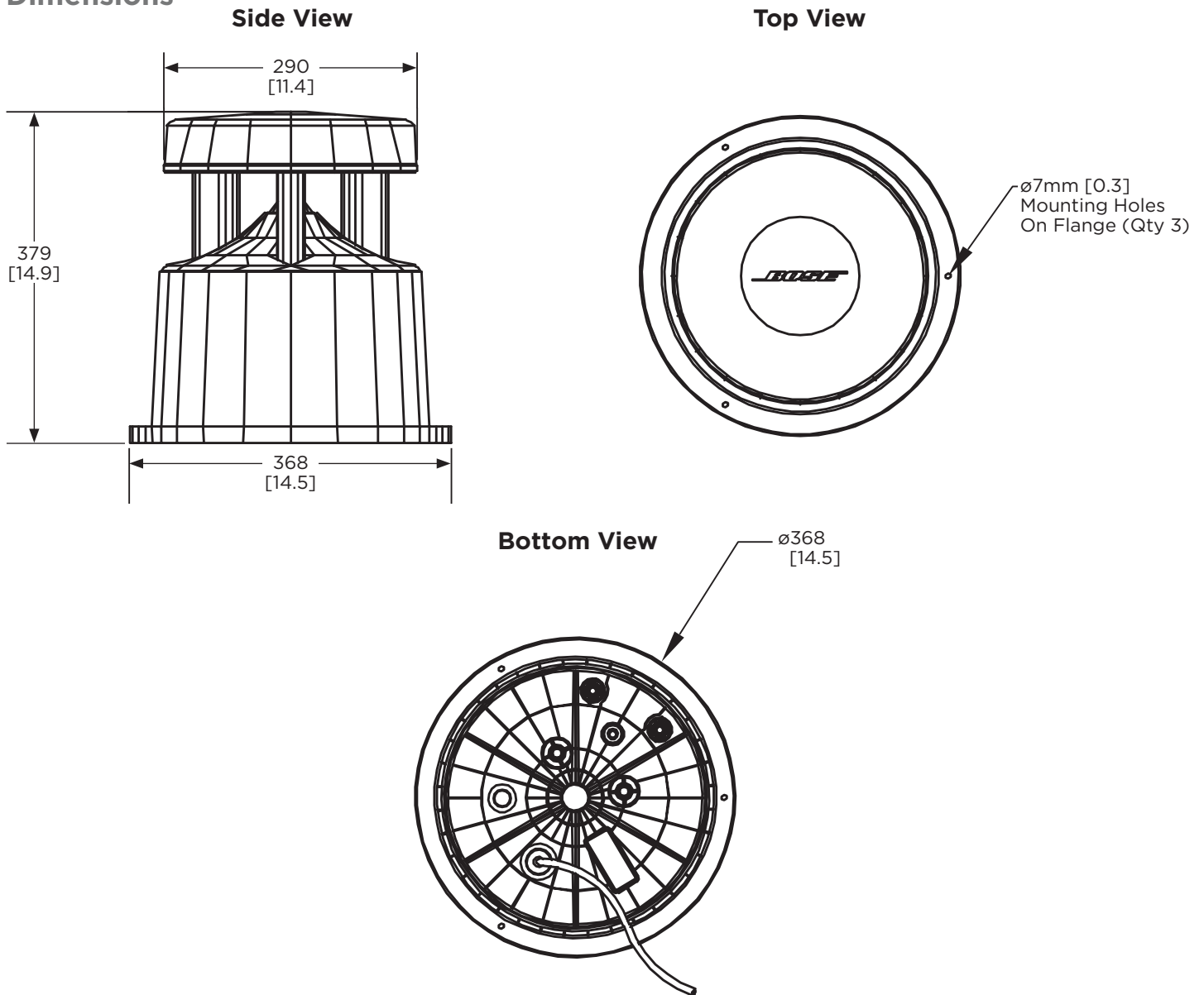
For additional specifications and application information, please visit PRO.BOSE.COM. Specifications subject to change without notice. 01/11/2022

TECHNICAL DATA

FreeSpace 360P Series II

environmental landscape loudspeaker

Dimensions ⁶



Safety and Regulatory Compliance

The FreeSpace® 360P Series II loudspeaker is suitable for general purpose use. It complies with EMC Directive 89/336/EEC and Article 10 (1) of the Directive in compliance with EN50081-1, EN50082-1, as signified by the CE mark.

NOTES:
(6) Dimensions are in millimeters over inches

For additional specifications and application information, please visit PRO.BOSE.COM. Specifications subject to change without notice. 01/11/2022