

APPLICATION NOTE

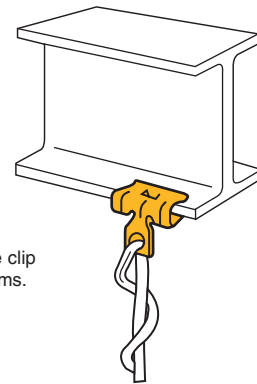
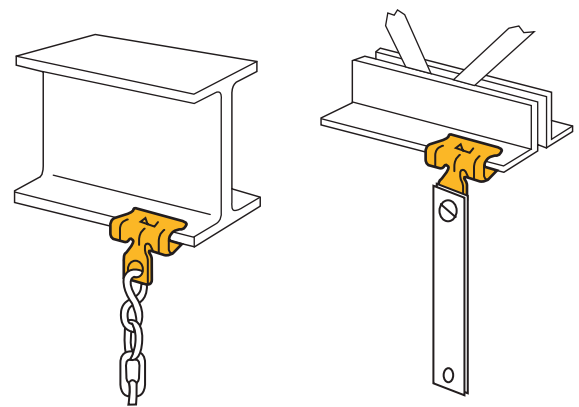
How to Attach Pendant Mount Kits to Beams

This application note illustrates a technique used to pendant mount Model 16 loudspeakers, FreeSpace® 3 flush satellites, or FreeSpace® 3 B-II modules onto exposed structural beams in open ceiling and other applications.

Pendant mount kits are available for the M16 (030094, 030095) and the FS3B-II (030099, 030100). Kits include a prefabricated cable, mounting hardware, and a cosmetic cover.

Cosmetic covers for the FS3F (030097, 030098) are also available.

Following is manufacturer's information on the CADDY® Hammer-on Flange Clip flange. Purchase Information is available at: www.erico.com; click on "Where to Buy Our Products." This is a high strength beam clip which can be installed with a hammer. Locates a "portable" 1/4" (6.35mm) hole on overhead beams for suspension of overhead products. Installs easily regardless of insulation materials on beam flange. Fits most beams and bulb tees.



Examples of the clip attached to beams.

Product Sizing and Identification

(as specified by the manufacturer)

Catalog Number	Figure Number	Flange Thickness	Quantity Per box	Static Load Limit
2H4*	1	3/32" - 9/64" (2.4mm - 3.6mm)	100	160lb (72.6kg)
4H24	2	1/8" - 1/4" (3.2mm - 6.4mm)	100	200lb (90.7kg)
4H58	2	5/16" - 1/2" (7.9mm - 12.7mm)	100	200lb (90.7kg)
4H912	2	9/16" - 3/4" (14.2mm - 19.0mm)	100	200lb (90.7kg)

Figure 1



Figure 2

