

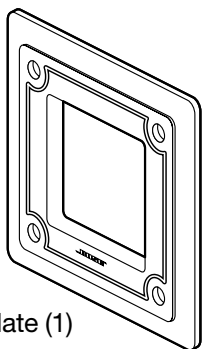


# Trim Plate Kit for FreeSpace® DS 16S, DS 16SE, DS 40SE, and DS 100SE loudspeakers

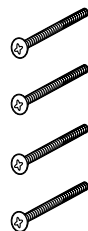
US-ONLY • KUN USA • NUR USA • SÓLO EE UU • ÉTATS-UNIS UNIQUEMENT • SOLO USA • ALLEEN VS • ENDAST USA

## Contents

#8-32 x 2" truss head screws (4)



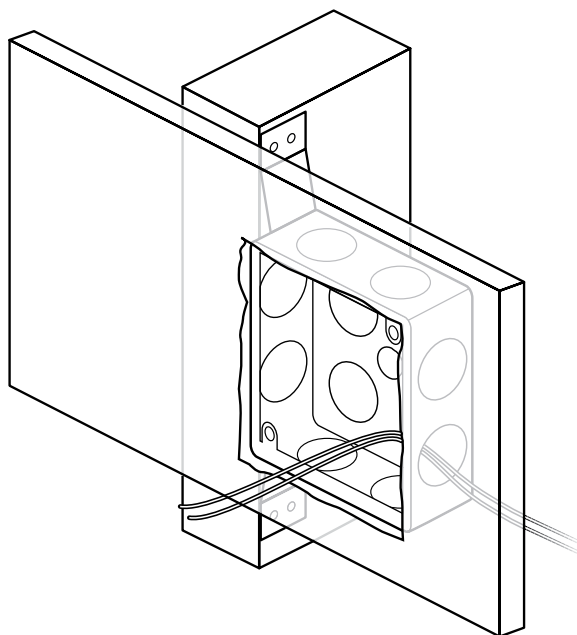
Trim Plate (1)



Choose a mounting position, method, and hardware consistent with local building codes and regulations.

- The FreeSpace DS loudspeakers can be mounted directly on standard U.S. steel 4" x 4" junction boxes. There may be several junction boxes available that are compatible with FreeSpace DS loudspeaker wall brackets, but Bose Corporation only recommends the junction boxes it has validated.
- Please check [pro.bose.com](http://pro.bose.com) for an up-to-date list of Bose-validated junction boxes.
- It is the responsibility of the installer to properly install junction boxes to ensure the safety of the loudspeaker installation. Consult a building professional for the proper junction box installation methods before installing the loudspeaker.
- The junction box should be installed in such a way that it is structurally capable of supporting the weight of the loudspeaker. A 10:1 safety weight ratio is recommended.
- Failure to properly install a junction box or loudspeaker could result in damage, injury or death.

## 1. Install standard U.S. steel 4" x 4" junction box.

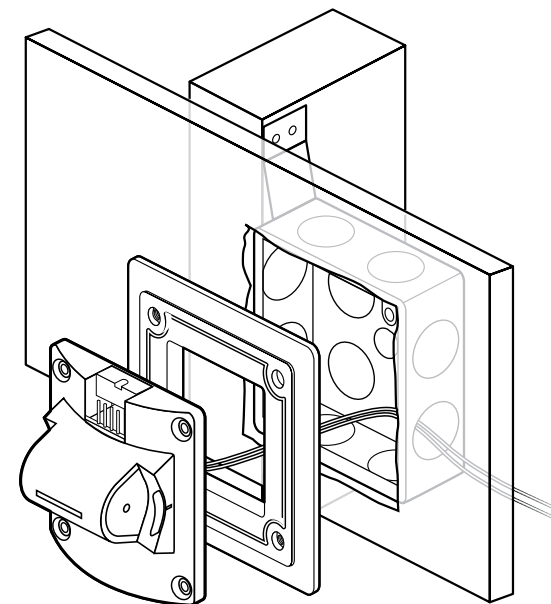


### U.S. 4" x 4" Standard Steel Junction Boxes Approved by Bose

Manufacturer: Steel City	Manufacturer: Raco
<i>Installation Type: Wooden Stud</i>	
Catalog Number	
52151-V-1/2 & 3/4	235 8235
<i>Installation Type: Metal Stud</i>	
Catalog Number	
52151-CV-1/2 & 3/4	237

Check [pro.bose.com](http://pro.bose.com) for an up-to-date list of Bose-validated junction boxes.

## 2. Run wire through trim plate and wire to wall bracket.

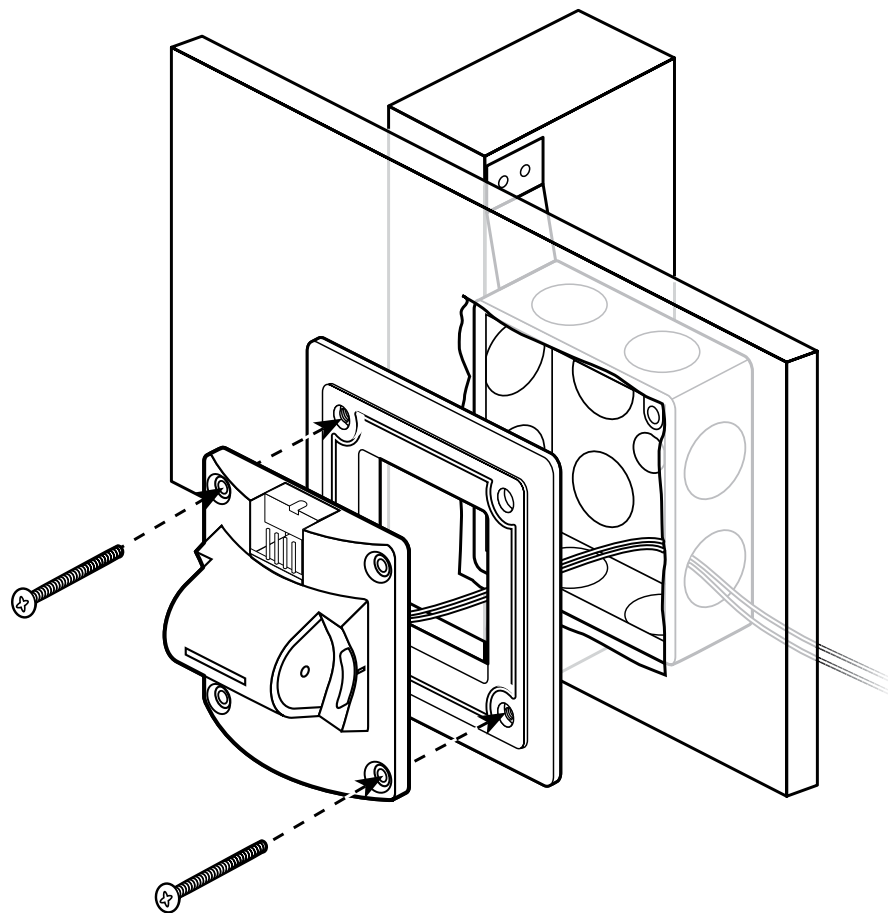


Refer to your loudspeaker's *Installation Guide* for more information about wiring the loudspeaker.

### 3. Attach loudspeaker wall bracket to trim plate.

Use (2) #8-32 x 2" truss head screws provided.

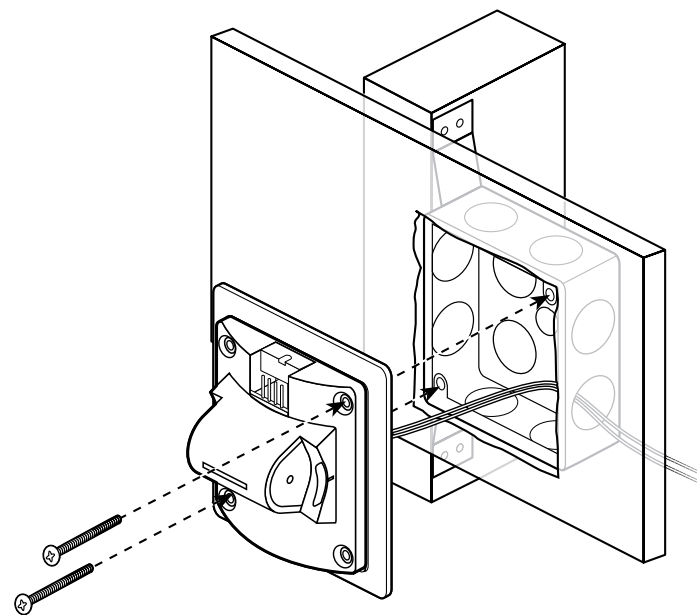
*Note: Trim plate has two threaded inserts which should be oriented at the corners opposite of the junction box tabs.*



Do not overtighten.  
If using a power drill, set to a low torque setting.

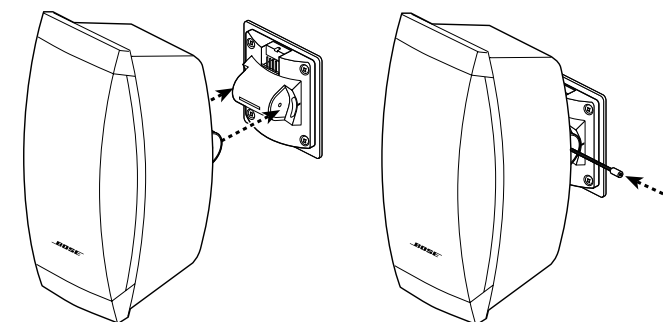
### 4. Secure wall bracket and trim plate to junction box.

Use (2) #8-32 x 2" truss head screws provided.



Do not overtighten.  
If using a power drill, set to a low torque setting.

### 5. Mount loudspeaker to wall bracket.



Refer to your  
loudspeaker's  
*Installation Guide*  
for more information  
about mounting the  
loudspeaker to the  
wall bracket



316792-0010

**BOSE**<sup>®</sup>  
Better sound through research<sup>®</sup>