

# ShowMatch™ SMS118 DeltaQ™ array subwoofer



## Product Overview

Bose ShowMatch™ SMS118 subwoofer is designed primarily to integrate with DeltaQ™ array loudspeakers and extend low-frequency response down to 29 Hz. The SMS118 enclosure width and integrated rigging allows fast integration in arrays with ShowMatch full-range modules using optional array frames and accessories. The portable-rated Baltic birch enclosure may also be used for ground-stack applications and includes an integrated mounting-pole adapter for use with other mid/high loudspeakers.

## Key Features

- **DeltaQ™ technology** – defines the next-generation in loudspeaker array design with selectable coverage patterns that more precisely direct sound to audience areas for improved sound quality and vocal clarity with fewer boxes versus line arrays.
- **ShowMatch™ companion 1x 18” subwoofer** – for low-frequency extension down to 29 Hz with mixed mid/high and subwoofer ShowMatch arrays
- **Bose LF18 neodymium 18-inch**, high-excursion, 4.5-inch voice coil, transducer provides maximum performance (same transducer as in Bose RMS218)
- **Integrated 4-point “quick pin” rigging** – allows arrays of up to 18 subwoofers with 10:1 design factor
- **Front-grill mounted NL4 input, plus rear NL4 inputs** – allow easy setup for “reversed-box” cardioid arrays
- **Integrated pole-cup adapter** – allows use with other mid/high loudspeakers and accessory mounting poles
- **Removable side guards** – provide rigging guard for portable applications. Easily removed for permanent installs to reduce width and improve sight lines

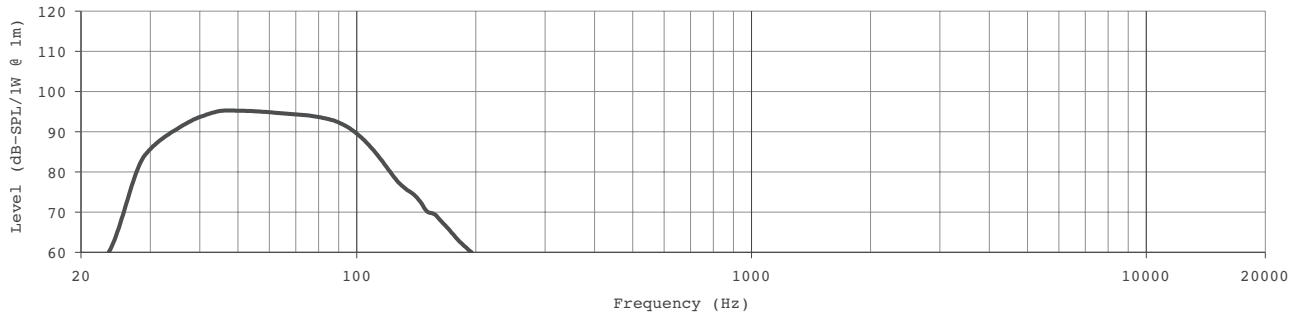
## Technical Specifications

SINGLE MODULE PERFORMANCE				
Frequency Response (-3 dB) (1)	32 - 250 Hz			
Frequency Range (-10 dB)	29 - 300 Hz			
Recommended High-Pass Protection Filter	30 Hz with minimum 12-dB / octave filter			
Nominal Coverage Pattern	omni with cardioid array configurations			
Recommended Crossover	60-100 Hz (requires active crossover in DSP)			
	Bose extended-lifecycle test <sup>(4)</sup>		AES transducer test <sup>(5)</sup>	
	Array (free field)	Ground Stack (half space)	Array (free field)	Ground Stack (half space)
Power Handling, long-term continuous	750 W	750 W	1250 W	1250 W
Power Handling, peak	3000 W	3000 W	5000 W	5000 W
Sensitivity (SPL/ 1W @ 1 m) (2)	92 dB	98 dB	92 dB	98 dB
Calculated Maximum SPL @ 1 m (3)	121 dB	127 dB	123 dB	129 dB
Calculated Maximum SPL @ 1 m, peak	127 dB	133 dB	129 dB	135 dB
TRANSDUCERS				
Low Frequency	1 x Bose LF18 neodymium 18-inch, high-excursion woofer (4.5-inch voice coil)			
Nominal Impedance	4 ohms			
PHYSICAL				
Enclosure Material	Baltic birch plywood			
Finish	Two-part spray polyurethane coating, black			
Grill	16-gauge (1.5 mm) perforated steel, powder-coated finish, black			
Environmental	IPx4			
Connectors	2 x Neutrik® NL4 on rear, 1x NL4 front-grill mounted; all wired parallel			
Suspension / Mounting	4-point “quick pin” rigging; 4x M10 top and 4x M10 bottom inserts; M20 pole cup			
Dimensions (H x W x D)	21.2” x30.1” x30.5” (540 x 765 x 775 mm) / W: XX side guards removed			
Net Weight	136.5 lbs (61.9 kg)			
Shipping Weight	145 lbs (65.8 kg)			
Accessories	rigging frames, ground stack bracket, short quick pins			

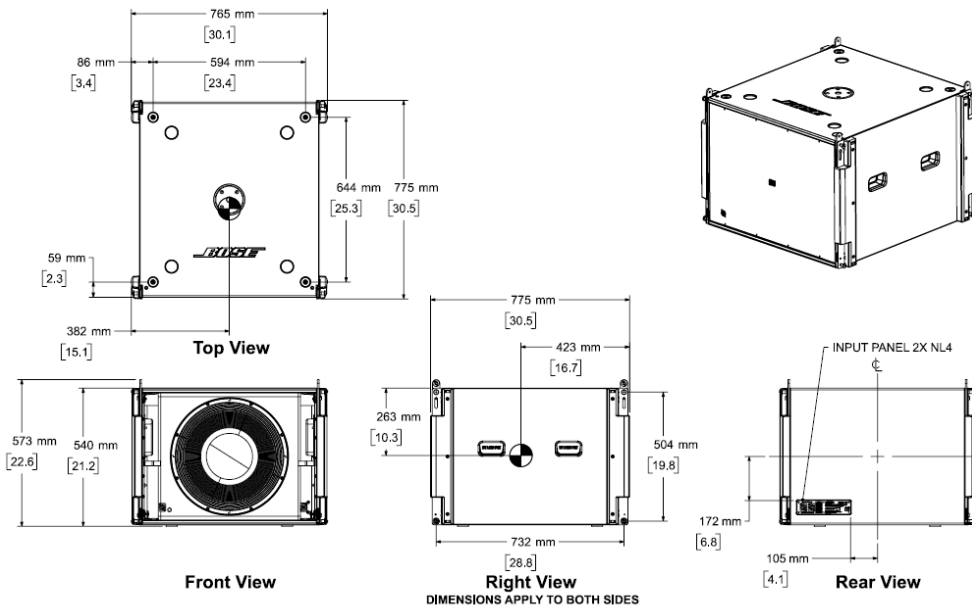
# ShowMatch™ SMS18 DeltaQ™ array subwoofer



## Frequency Response



## Mechanical Diagrams



Footnotes

- (1) Frequency response and range measured on-axis in an anechoic environment, with recommended bandpass and EQ.
- (2) Sensitivity measured with indicated boundary conditions, recommended bandpass and EQ, referenced to 1W/m.
- (3) Maximum SPL calculated from sensitivity and power handling specifications, exclusive of power compression.
- (4) Bose extended-lifecycle test using pink noise filtered to IEC268-5, 6-dB crest factor, 500-hour, full-power duration.
- (5) AES standard component power handling test: pink noise 60-18000 Hz bandpass, 6-dB crest factor, 2-hour duration.