

DesignMax DM10S-SUB

surface-mounted subwoofer

Product Overview

DesignMax loudspeakers bring outstanding audio and aesthetics to any commercial space. The 250-watt DM10S-SUB subwoofer features a 10-inch woofer and delivers a 35 Hz - 125 Hz frequency range. The DM10S-SUB is surface-mounted and locks onto a hidden QuickHold U-bracket. With both black and white versions available, the DM10S-SUB is easy to integrate with any décor.



Key Features

Deliver instantly impressive sound with custom Bose drivers — no DSP or EQ required. For even better sound, use select Bose DSPs and amplifiers to enable Bose loudspeaker EQ

Blend into any room design with elegant form factors, minimum-bezel grilles available in black or white, and removable logos

Reduce installation time with the patented QuickHold mounting system, which also reduces strain, hassle, and the chance of product damage

Install easily — includes Euroblock connectors; deliver high SPL for demanding applications

Technical Specifications

SINGLE LOUDSPEAKER PERFORMANCE		
Frequency Response (-3 dB) ⁽¹⁾	41 - 108 Hz	
Frequency Range (-10 dB) ⁽¹⁾	35 - 125 Hz	
Nominal Coverage (H × V)	Omnidirectional below 200 Hz	
Nominal Coverage Angle (1 - 10 kHz)	Omnidirectional below 200 Hz	
	Bose extended-lifecycle test ⁽⁴⁾	AES component test ⁽⁵⁾
Power Handling, long-term continuous	250 W	300 W
Power Handling, peak	1000 W	1200 W
Sensitivity (SPL/ 1W @ 1 m) ⁽²⁾	90 dB	90 dB
Calculated Maximum SPL @ 1 m ⁽³⁾	114 dB	115 dB
Calculated Maximum SPL @ 1 m, peak	120 dB	121 dB
Recommended Crossover	80 - 200 Hz (requires active crossover in DSP)	
Recommended High-Pass Protection	40 Hz with recommended 18 dB / octave filter	
Overload protection	Resistor-network power reduction with automatic reset	
Transformer taps	70V: 20, 40, 80, 150 W, bypass 100V: 40, 80, 150 W, bypass	
TRANSDUCERS		
Low Frequency	1 x 10-inch woofer (254 mm)	
Nominal Impedance	8 ohms (transformer bypass)	

DesignMax DM10S-SUB

surface-mounted subwoofer

PHYSICAL	
Enclosure Material	High-density wood composite with solid color laminate, UV fade resistant
Grille	Perforated steel, powder-coated finish, paintable, tamper-resistant design
Logo	Rotatable, removable
Color	Black: RAL 9005, White: Bose Arctic White, similar to RAL 9003, Paintable
Environmental / Ingress-Protection	Indoor only
Safety Agency	UL-1480A, S5591/ UL Listed, NFPA70, in accordance with IEC60268-5, ROHS, CE compliant
Operating Temperature Range	0 °C to 50 °C (32 °F to 122 °F)
Connectors	Euroblock 6-pin connector with loop-through, mounted on rear. Accepts 18 AWG (0.8 mm ²) to 14 AWG (2.5 mm ²) size wire
Suspension / Mounting	QuickHold Mounting System with included U-Bracket
	2 repeatable mounting angles: 0°, 90° for wall or ceiling placement
	One (1) rear M8 screw insert for safety-tether attachment
Dimensions (H × W × D)	502 × 316 × 323 mm (19.8 × 12.5 × 12.7 in)
Dimensions (H × W × D) with bracket	502 × 316 × 346 mm (19.8 × 12.5 × 13.6 in)
Net Weight, Loudspeaker with grille and bracket	16.1 kg (35.5 lb)
Shipping Weight	18.8 kg (41.5 lb)
Included Accessories	U-Bracket
Optional Accessories	None
PRODUCT CODES	
831856-0110	DESIGNMAX DM10S-SUB SINGLE BLK
831856-0210	DESIGNMAX DM10S-SUB SINGLE WHT

Footnotes

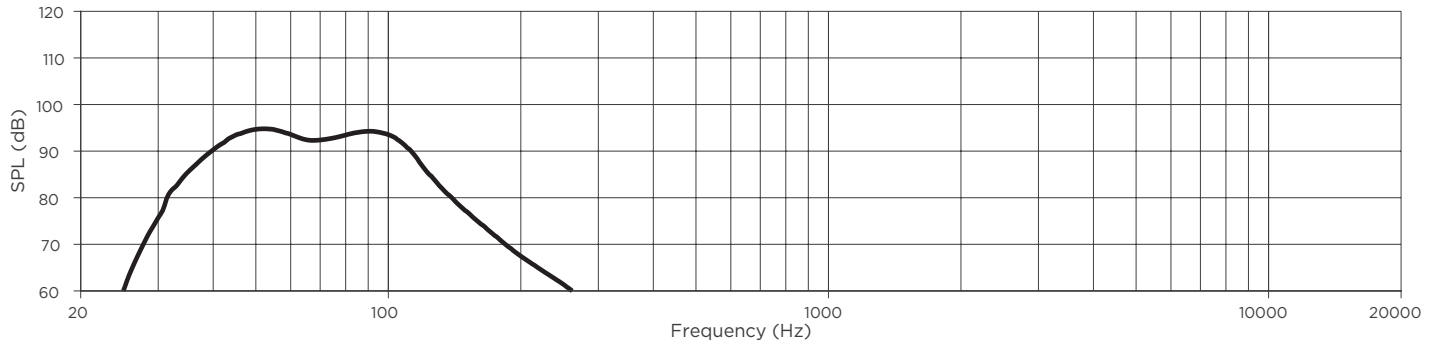
- (1) Frequency response and range measured on-axis in half-space environment with Bose EQ voicing
- (2) Sensitivity measured on-axis in half-space environment with Bose EQ voicing
- (3) Maximum SPL calculated from sensitivity and power handling specifications, exclusive of power compression.
- (4) Bose extended-lifecycle test using pink noise filtered to meet IEC268-5, 6-dB crest factor, 500-hour duration.
- (5) AES standard 2-hour duration with IEC system noise

For additional specifications and application information, please visit PRO.BOSE.COM.
Specifications subject to change without notice. 04/2020

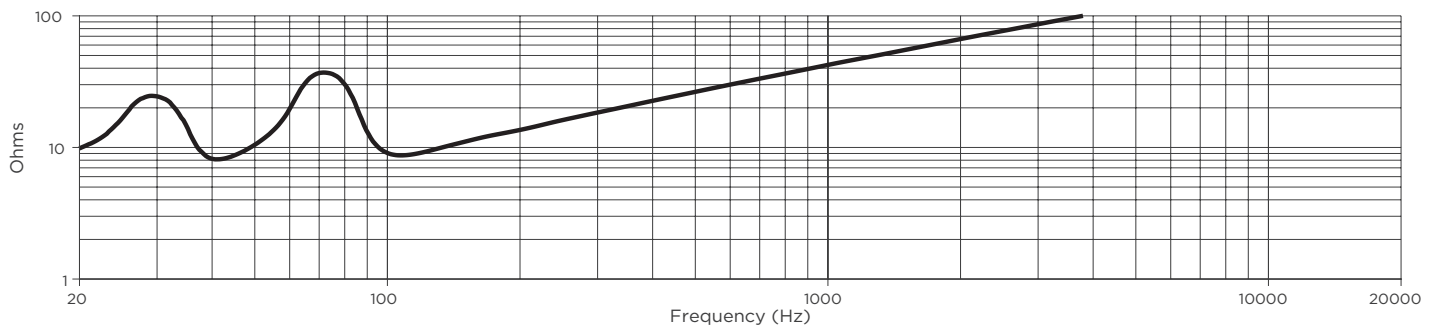
DesignMax DM10S-SUB

surface-mounted subwoofer

On-Axis Frequency Response (half-space (2 π) with Bose EQ voicing)



Impedance

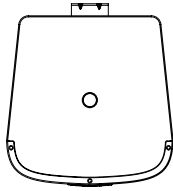


For additional specifications and application information, please visit PRO.BOSE.COM. Specifications subject to change without notice. 04/2020

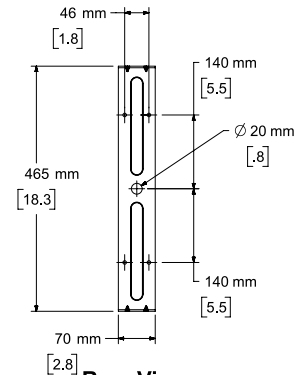
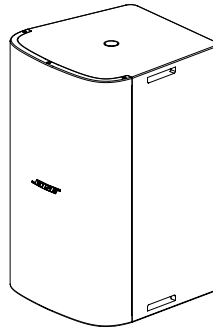
DesignMax DM10S-SUB

surface-mounted subwoofer

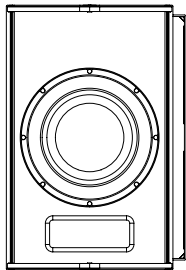
Dimensions



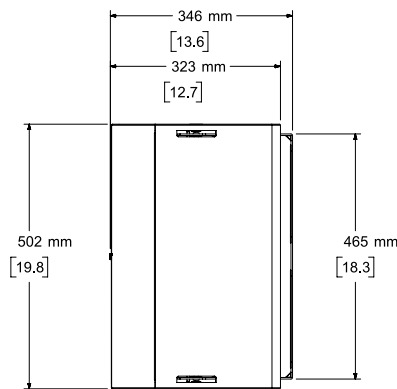
Top View
BRACKET SHOWN IN
REAR LOCATION



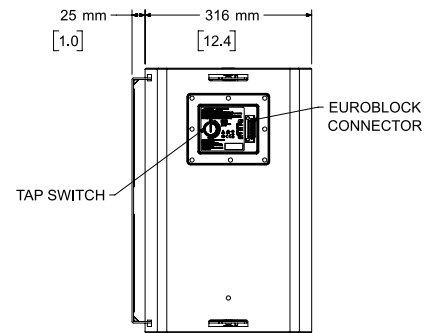
Rear View
BRACKET ONLY



Front View
GRILLE REMOVED FOR CLARITY
BRACKET SHOWN IN
SIDE LOCATION



Right View
DIMENSIONS APPLY TO BOTH SIDES
BRACKET SHOWN IN REAR LOCATION



Rear View
BRACKET SHOWN IN SIDE LOCATION

- NOTES:
1. DIMENSIONS ARE IN MILLIMETERS OVER INCHES
2. WEIGHT APPROX 16.05kg [35.40lbs] (SPEAKER ONLY)
WEIGHT W/BRACKET APPROX 16.07kg [35.45lbs]