

# DesignMax DM3P

## pendant loudspeaker

### Product Overview

With a coaxial two-way design, the 30-watt DM3P loudspeaker offers clear, intelligible highs and surprising low end for its size — along with premium aesthetics that complement any commercial sound installation. The DM3P loudspeaker features a coaxial 3.25-inch woofer and 0.75-inch tweeter mounted within the Dispersion Alignment system, delivering a frequency range of 75 Hz – 20 kHz. The DM3P features a recessed single-point suspension system for a sleek, attractive appearance. All models are available in black or white.



### Key Features

**Complete any commercial sound installation** with 16 DesignMax loudspeakers to mix and match, including in-ceiling, surface-mount, and pendant form factors, subwoofers, high-SPL compression-driver models, compact low-profile models, and outdoor-rated options

**Choose from three DM3 models** — the in-ceiling DM3C, the surface-mounted, outdoor-rated DM3SE, and the sleek DM3P pendant loudspeaker

**Deliver clear highs and surprising low end for their size with a coaxial two-way design** — no DSP or EQ required. For even better sound, combine with select Bose DSPs and amplifiers to enable Bose loudspeaker EQ and SmartBass processing, which expands performance and response at any listening level

**Ensure a consistent listening experience** throughout the room with the Dispersion Alignment system, which matches the coverage of the woofer to the pattern of the tweeter

**Blend with any room design** with elegant form factors, minimum-bezel grilles available in black or white, and removable logos

**Install easily with industry-standard accessories** — all models include Euroblock connectors; in-ceiling models include plenum-rated backcans, tile bridges, and front-access audio wiring that makes installation and troubleshooting easier

**Provide an open, attractive aesthetic** with pendant loudspeakers featuring a recessed single-point suspension system that keeps hardware out of sight and can be used to hold and hide a service loop for easy access

### Technical Specifications

SINGLE-LOUDSPEAKER PERFORMANCE		
Frequency Response (-3 dB) <sup>1</sup>	85 - 20,000 Hz	
Frequency Range (-10 dB) <sup>1</sup>	75 - 20,000 Hz	
Nominal Coverage Angle (1 - 4 kHz)	130° conical	
Nominal Coverage Angle (1 - 10 kHz)	130° conical	
	AES transducer test <sup>4</sup>	Bose extended-lifecycle test <sup>5</sup>
Power Handling, long-term continuous	30 W	25 W
Power Handling, peak	120 W	100 W
Sensitivity (SPL / 1 W @ 1 m) <sup>2</sup>	84 dB	84 dB
Calculated Maximum SPL @ 1 m <sup>3</sup>	99 dB	98 dB
Calculated Maximum SPL @ 1 m, peak	105 dB	104 dB
Crossover	1.7 kHz (passive two-way crossover)	
Loudspeaker EQ	Not required, Bose EQ voicing, and SmartBass processing available	
Recommended High-pass Protection	80 Hz with minimum 24 dB/octave filter	
Transformer taps	70V: 3, 6, 12, 25 W, bypass	
	100V: 6, 12, 25 W, bypass	

For additional specifications and application information, please visit [PRO.BOSE.COM](http://PRO.BOSE.COM). Specifications subject to change without notice. December 2020.

## TECHNICAL DATA

# DesignMax DM3P

## pendant loudspeaker

TRANSDUCERS	
Low Frequency	1 × 3.25-inch woofer (83 mm)
High Frequency	1 × 0.75-inch (20 mm) neodymium dome tweeter, coaxially mounted
Technology	Dispersion Alignment system, 127 mm (5 in) system diameter
Nominal Impedance	8 Ω (transformer bypass)
PHYSICAL	
Enclosure Material	Engineered plastics
Grille	Perforated steel, powder-coated finish
Logo	Rotatable, removable
Color	Black: Bose Black, similar to RAL 9005, paintable
	White: Bose Arctic White, similar to RAL 9003, paintable
Paintable	Choose a paint that is specifically designed for use with polypropylene (PP) plastics.
Environmental	Indoor only
Safety Agency	UL-1480A, S5591/UL Listed, NFPA70 & NFPA90-A, CE compliant, UL 2239 for suspension cable
Operating Temperature Range	0 °C to 50 °C (52 °F to 122 °F)
Connectors	Euroblock 6-pin connector with loop-through, mounted on top. Accepts 18 AWG (0.8 mm <sup>2</sup> ) to 14 AWG (2.5 mm <sup>2</sup> ) size wire.
Suspension / Mounting	Each DM3P has one (1) suspension attachment point and one (1) safety cable attachment point. Included is one (1) 4.5 meter (15 foot) Gripple adjustable suspension cable.
Product Dimensions (Enclosure Diameter × Depth)	207 × 248 mm (8.2 × 9.8 in)
Cable Dimensions	Length: 4.57 m (15.00 ft)
	Diameter: 2 mm (0.08 in)
Net Weight, single	2.5 kg (5.5 lb)
Shipping Weight, pair	7.00 kg (15.43 lb)
Included Accessories	Each DM3P includes one (1) Gripple adjustable suspension cable system, four (4) cable ties
Optional Accessories	Threaded Rod Adapter, Conduit Adapter, Gripple Pendant Suspension Cable Pair kit
PRODUCT CODES	
841165-0110	DESIGNMAX DM3P PAIR BLACK
841165-0210	DESIGNMAX DM3P PAIR WHITE
850571-0010	DESIGNMAX PENDANT THREADED ROD ADAPTER, PAIR
854381-0010	DESIGNMAX PENDANT CONDUIT ADAPTER, PAIR
852582-0010	PENDANT SUSPENSION CABLE KIT, PAIR

### Footnotes

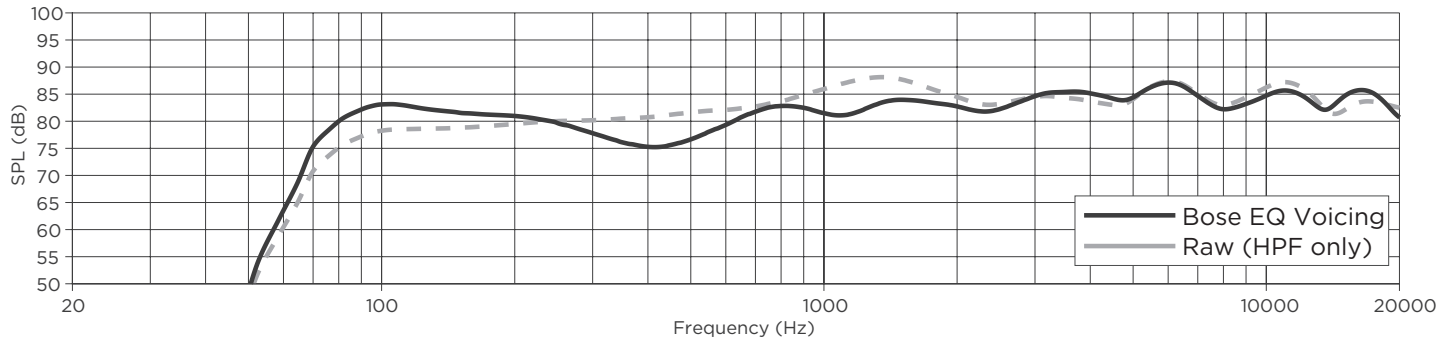
1. Frequency response and range measured on-axis in whole-space environment with recommended EQ
2. Sensitivity measured on-axis in whole-space environment averaged 100 Hz - 10 kHz using recommended high-pass protection
3. Maximum SPL calculated from sensitivity and power handling specifications, exclusive of power compression
4. AES standard 2-hour duration with IEC system noise
5. Bose extended-lifecycle test using pink noise filtered to meet IEC268-5, 6-dB crest factor, 500-hour duration
6. Measured in whole-space environment

For additional specifications and application information, please visit [PRO.BOSE.COM](http://PRO.BOSE.COM).  
Specifications subject to change without notice. December 2020.

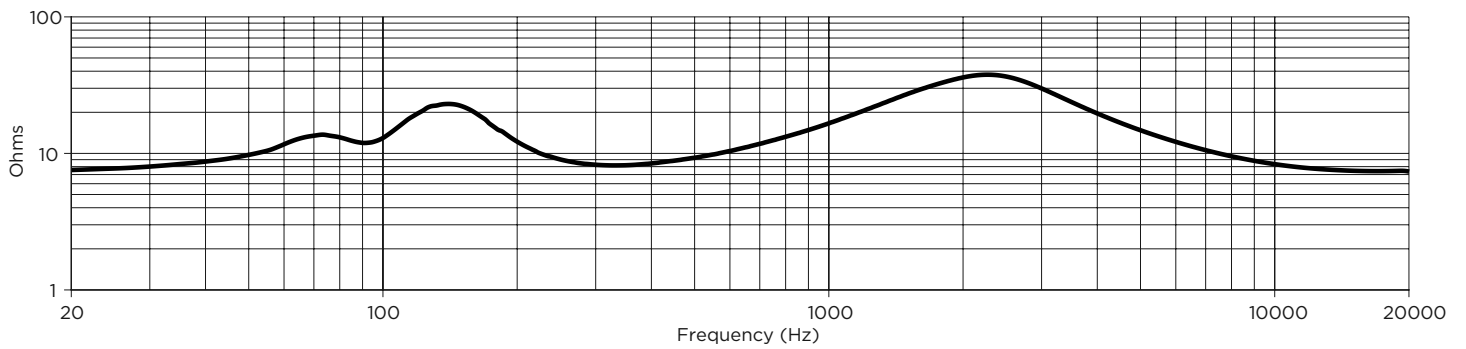
# TECHNICAL DATA

## DesignMax DM3P pendant loudspeaker

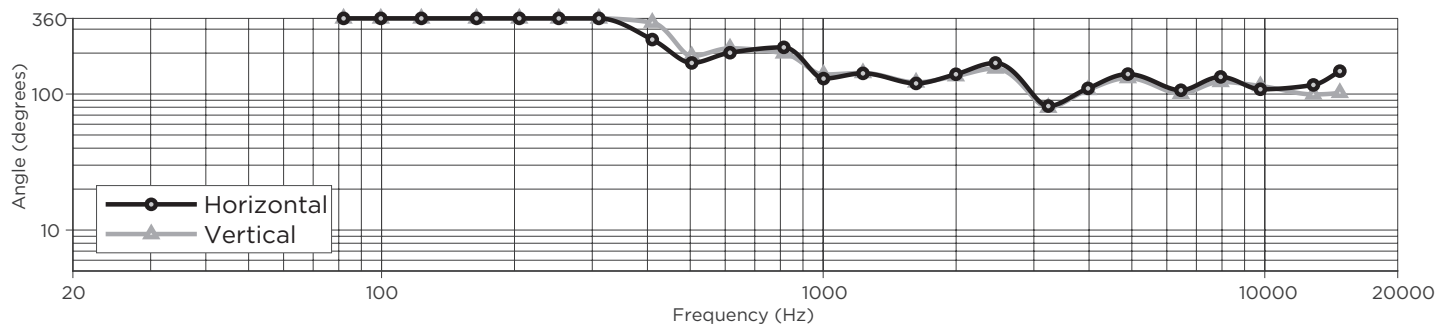
### On-Axis Frequency Response



### Impedance



### Beamwidth <sup>6</sup>

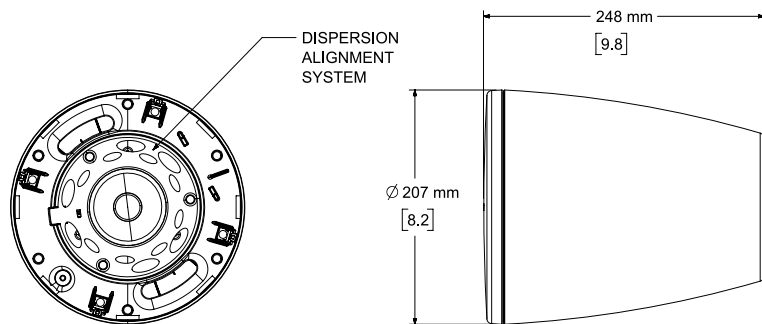
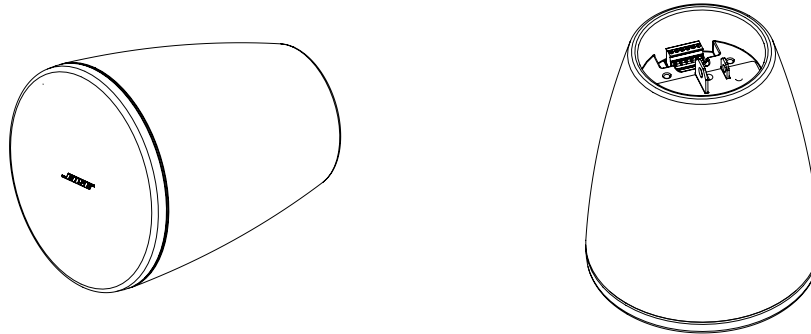


For additional specifications and application information, please visit [PRO.BOSE.COM](http://PRO.BOSE.COM). Specifications subject to change without notice. December 2020.

# DesignMax DM3P

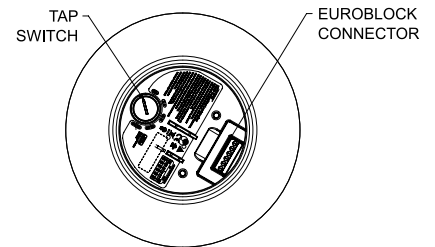
pendant loudspeaker

## Dimensions



**Front View**  
GRILLE REMOVED FOR CLARITY

**Right View**  
DIMENSIONS APPLY TO BOTH SIDES



**Rear View**

- NOTES:  
1. DIMENSIONS ARE IN MILLIMETERS OVER INCHES  
2. WEIGHT APPROX 2.5kg [5.5lbs]