

# Videobar VB-S

## all-in-one USB conferencing device



### Product Overview

The Videobar VB-S is a compact, all-in-one USB videoconferencing device that brings signature Bose Professional sound and quality to your meeting space. With plug-and-play simplicity, it's quick and easy to set up and use—no more videoconferencing hardware headaches.

In small meeting spaces, the VB-S ensures voices on the call sound natural, while multimedia presentations and Bluetooth® audio are rich and engaging. It automatically focuses on voices in the room and reduces unwanted noise; plus, a 4K ultra-HD camera delivers sharp video, helping remote participants feel like they're in the room.

Its sleek, low-profile design adds to the professional look of any meeting space. Connect the VB-S to a computer, and it creates a complete videoconferencing solution for hosting professional-quality meetings using Google Meet, Microsoft Teams, Zoom and more.

The VB-S is the videoconferencing solution that's simple to set up, easy to use, and delivers a high-quality meeting experience—every time.

### Key Features

**Bring the quality and reliability of Bose Professional to small meeting spaces** with an all-in-one USB videoconferencing solution that installs quickly and easily to deliver premium audio and video performance

**Signature Bose Professional audio** featuring a beam-forming array of four microphones making conversation sound more natural by actively focusing on voices; exclusion zones that help reduce unwanted noise; and auto EQ delivering optimized audio to all participants

**Simple mounting options included** to facilitate tabletop or wall placement, with available display mounting kit (sold separately)

**4K ultra-HD camera** with 5x digital zoom and a wide field of view helps meeting participants connect visually more effectively

**Two autoframing modes: Group Mode** frames all in-room participants ensuring that no one is left out of the conversation. **Individual Mode** frames and dynamically follows a single person

**Compatible with Google Meet, Microsoft Teams, Zoom and more**, bringing the Bose Professional experience to popular Unified Communications platforms

**Elegant, sturdy, low-profile design** made possible by renowned Bose Professional engineering, allows loudspeaker, microphones, and electronics to be housed closely together while delivering stunning performance without interference or sacrificing stability

**Simple configuration software allows comprehensive control** – Videobar Configuration (VBC) software for easy setup, customized settings, and firmware updates

**Videobar Mobile app** for real-time VB-S control via smartphone; easily adjust volume, mute, pan, tilt, zoom, preset controls, and Bluetooth pairing

**Bluetooth connectivity** to bridge calls or stream music

**Connects to existing wireless network infrastructure**, making installation faster and allowing remote updates, management, and monitoring via Videobar Administration (VBA) software

For additional specifications and application information, please visit [BOSEPROFESSIONAL.COM](https://www.bose.com/professional). Specifications subject to change without notice. 06/08/2023

# Videobar VB-S

all-in-one USB conferencing device

## Technical Specifications

<b>LOUDSPEAKER</b>	
Configuration	Mono loudspeaker, ported enclosure
Amplifier Power	15 W < 0.3% distortion over frequency range
Frequency Response (-10 dB)	90 - 20,000 Hz
Maximum SPL @ 1 m	86 dB (IEC 60268-5, mono input, wall-mounted)
<b>MICROPHONE ARRAY</b>	
Configuration	4 microphones
Frequency Response (±3 dB)	20 - 15,000 Hz
Pickup Range	4.0 m (13.1 ft)
Technology	Static and adaptive dynamic beam-forming, 3 exclusion zones, acoustic echo cancellation (AEC), digital noise suppression
<b>CAMERA AND VIDEO</b>	
Field of View (FOV)	123° diagonal × 115° horizontal × 81° vertical
Image Sensor	8 MP
Focus Distance	0.5 m (1.6 ft) to ∞
Lens	Up to 5x digital zoom, integrated camera privacy cover
Positioning	2 autoframing modes (Group or Individual) or digital pan-tilt-zoom (PTZ) with 3 configurable presets (Home, 1, 2)
Processing	Automatic white balance, automatic brightness, digital noise reduction
USB Device Video Class (UVC)	v1.1
Supported Video Resolutions	UHD 2160p (4K) <sup>1</sup> , 1080p, 720p, 960×480, 848×480, 640×480, 640×360, 432×240 (30 fps)
Video Encoding	H.264, M-JPEG
<b>CONNECTIONS</b>	
USB	USB Type-C® to host computer (USB 3.0 UAC, UVC, HID)
Network	Wi-Fi 802.11ac (wireless)
<i>Bluetooth</i>	<i>Bluetooth</i> 4.2 HSP, A2DP, AVRCP, BLE
Power	Via external power supply with localized power cord (included) Input: 110–240 VAC, 50/60 Hz, 1.5 A max. Output: 24 VDC, 1.875 A
<b>SOFTWARE APPLICATIONS</b>	
Control/Configuration	Videobar Configuration (available for Windows and macOS or via web browser) Videobar Administration software (available for Windows) Videobar Mobile app (available for iOS and Android)
<b>SYSTEM REQUIREMENTS</b>	
Operating System	Windows 8.1 or higher MacOS 10.10 or higher Chrome OS (Google Chromebook)

1. UHD 2160p (4K) video resolution requires a USB 3.0 cable (not included).

## TECHNICAL DATA

# Videobar VB-S

all-in-one USB conferencing device

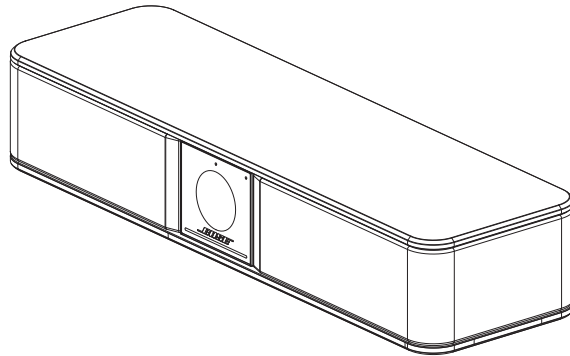
<b>REGULATORY</b>	
Safety	IEC/UL/EN 60065:2014/A11:2017, IEC/UL/EN 62368-1:2014/A11:2017
EMC	FCC Part 15B Class B, ICES-003 Class B, CISPR 13, EN55032 Class B, EN55035, EN61000-3-2, EN61000-3-3, BSMI CNS13439
Wi-Fi and <i>Bluetooth</i>	FCC Part 15C, RSS-GEN, RSS-247, RSS-102, EN300328, EN301893, EN301489
Environmental	RoHS
<b>PHYSICAL</b>	
Operating Temperature	0 °C to 40 °C (32 °F to 104 °F), 90% non-condensing humidity
Storage Temperature	-40 °C to 70 °C (-40 °F to 158 °F), 93% relative humidity
Mounting	Table stand with hardware (included) Mounting bracket with hardware (included) Display mounting kit (optional) Mud ring (optional)
Product Dimensions (Width × Height × Depth)	267 mm × 48 mm × 87 mm (10.5 in × 1.9 in × 3.4 in)
Net Weight	1.0 kg (2.1 lb)
Shipping Weight	2.3 kg (5.1 lb)
Included Accessories	USB-C-to-A 2.0 cable, 5.0 m (16.5 ft) USB-A-to-C adapter Table stand with hardware Mounting bracket with hardware Hex key Infrared remote control with 2 AAA batteries Power supply with localized power cord Cable management kit with mounting hardware Quick start guide, wall-mount setup guide, safety instructions
Optional Accessories	Display mounting kit Mud ring
<b>PRODUCT CODES</b>	
868751-1110	Videobar VB-S, 120V US
868751-2110	Videobar VB-S, 230V EU
868751-2120	Videobar VB-S, 230V UK
868751-3140	Videobar VB-S, 100V JP
868751-5110	Videobar VB-S, 240V AU
868751-2130	Videobar VB-S, 230V IN
868750-0100	Videobar VB-S, no cord, CN
869196-0010	Videobar Display Mounting Kit
861846-0010	Videobar Mud Ring

TECHNICAL DATA

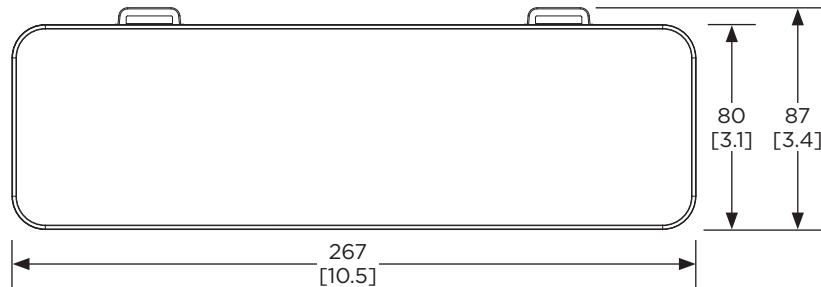
# Videobar VB-S

all-in-one USB conferencing device

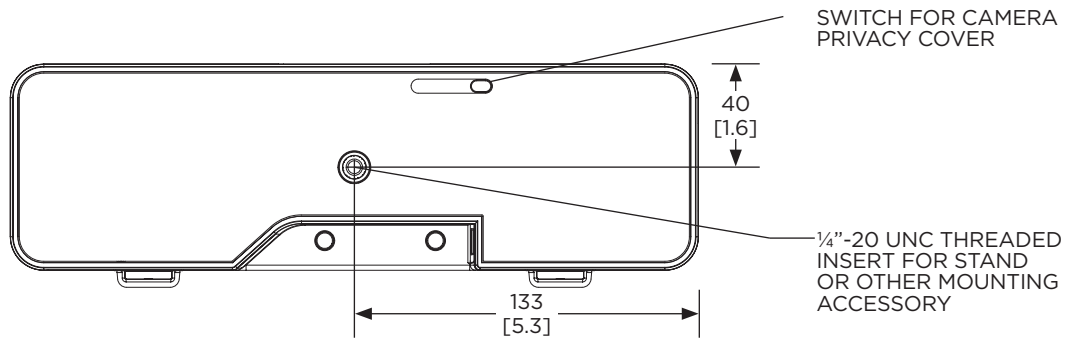
## Dimensions<sup>2 3</sup>



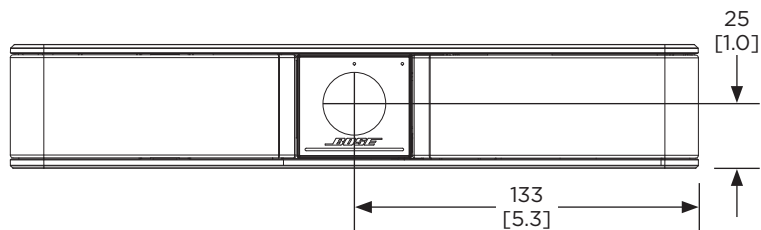
### Top View



### Bottom View



### Front View



2. DIMENSIONS ARE SHOWN IN MILLIMETERS OVER INCHES.
3. WEIGHT IS APPROX. 1.0 KG (2.1 LB) (BOSE VIDEOBAR ONLY).

Bose is a trademark of Bose Corporation. Videobar is a trademark of Transom Post OpCo LLC. Android, Chrome, Chromebook, Hangouts and other marks are trademarks of Google LLC. The *Bluetooth*® word mark and logos are registered trademarks owned by Bluetooth SIG, Inc. and any use of such marks by Bose Professional Corporation is under license. DisplayLink® is the registered trademark of DisplayLink Corp. in the EU, the US, and other countries. The terms HDMI and HDMI High-Definition Multimedia Interface, and the HDMI logo are trademarks or registered trademarks of HDMI Licensing Administrator, Inc. macOS is a trademark of Apple Inc. USB Type-C® and USB-C® are registered trademarks of USB Implementers Forum and are only intended for use with products based on and compliant with the USB Type-C® cable and connector specification. Wi-Fi is a registered trademark of Wi-Fi Alliance®. Zoom is a trademark of Zoom Video Communications, Inc. All other trademarks are the property of their respective owners.

For additional specifications and application information, please visit [BOSEPROFESSIONAL.COM](https://www.boseprofessional.com). Specifications subject to change without notice. 06/08/2023